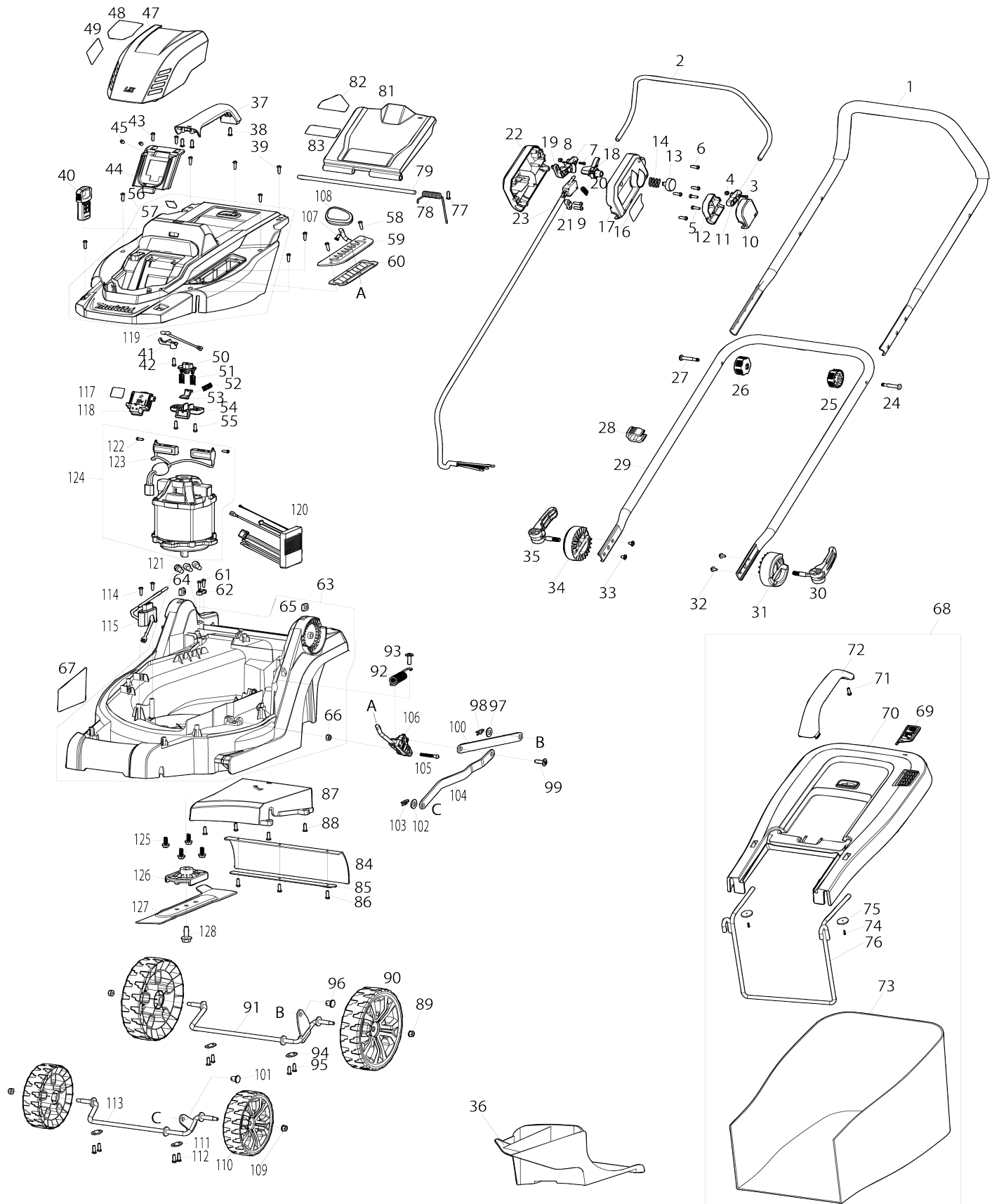


Model No.DLM330 330MM CORDLESS LAWN MOWER



Model No.DLM330 330MM CORDLESS LAWN MOWER

ទំនាក់ ញ្ញាលខេ	ផ្ទៃកែលខេ	កំរិតពណ៌ន័	កំរិត ចំណុះ ប្រតិ ប័ន ។	ចំនុះ ន	ចំមុះ/ ចំសុះ	តម្លៃលៃក ័ (USD)	តម្លៃលៃទុះ ញ (USD)	ចំណុះ័1	ចំណុះ័2
001	GB00000136	UPPER HANDLE		1					
002	GB00000044	SWITCH LEVER		1					
003	GB00000045	PAN HEAD SCREW M4X18		1					
004	GB00000046	HEX LOCK NUT M4		1					
005	GB00000003	TAPPING SCREW ST4,2X15		2					
006	GB00000003	TAPPING SCREW ST4,2X15		4					
007	GB00000045	PAN HEAD SCREW M4X18		1					
008	GB00000046	HEX LOCK NUT M4		1					
009	GB00000003	TAPPING SCREW ST4,2X15		2					
010	GB00000047	SWITCH LEVER HINGE BOX L		1					
011	GB00000048	SWITCH LEVER END CAP L		1					
012	GB00000049	SWITCH LEVER HINGE BOX R		1					
013	GB00000050	SWITCH LINK BUTTON		1					
014	GB00000051	COMPRESSION SPRING		1					
016	GB00000153	SWITCH OPERATION LABEL		1					
017	GB00000053	SWITCH BOX COVER L		1					
018	GB00000054	SWITCH CONTROL LINK		1					
019	GB00000055	SWITCH LEVER END CAP R		1					
020	GB00000056	TENSION SPRING		1					
021	GB00000057	CORD CLAMP		1					
022	GB00000058	SWITCH BOX COVER R		1					
023	GB00000138	SWITCH&CORD ASSY		1					
024	GB00000060	SQUARE NECK BOLT M6X42		1					
025	GB00000061	KNOB NUT M6		1					
026	GB00000061	KNOB NUT M6		1					
027	GB00000060	SQUARE NECK BOLT M6X42		1					
028	GB00000062	CORD CLIP		1					
029	GB00000063	LOWER HANDLE		1					
030	GB00000064	TENSION LEVER ASSY		1					
031	GB00000065	HANDLE FIX BLOCK		1					
032	GB00000066	TRAS HEAD TAPPING SCREW 4 X8		2					
033	GB00000066	TRAS HEAD TAPPING SCREW 4 X8		2					
034	GB00000065	HANDLE FIX BLOCK		1					
035	GB00000064	TENSION LEVER ASSY		1					
036	GB00000067	MULCHING PLUG		1					
037	GB00000068	CARRYNG HANDLE		1					
038	GB00000003	TAPPING SCREW ST4,2X15		3					
039	GB00000003	TAPPING SCREW ST4,2X15		8					
040	GB00000069	KEY		1					
041	GB00000070	INDICATOR UNIT MOUNT		1					
042	GB00000003	TAPPING SCREW ST4,2X15		1					
043	GB00000003	TAPPING SCREW ST4,2X15		2	*				
043-1	GB00000158	FLANGED TAPPING SCREW ST4,2X15	>	2					
044	GB00000071	BATTERY HOLDER		1					

045	GB00000072	RUBBER PIN 5,5X8,5		2				
047	GB00000074	BATTERY HOOD		1				
048	GB00000140	330MM LABEL		1				
050	GB00000077	BATTERY HOOD LOCK BUTTON		1				
051	GB00000078	COMPRESSION SPRING		2				
052	GB00000078	COMPRESSION SPRING		1				
053	GB00000079	BATTERY HOOD RATCHI		1				
054	GB00000080	BATTERY HOOD RATCHI FIX PL ATE		1				
055	GB00000003	TAPPING SCREW ST4,2X15		2				
056	GB00000081	UPPER HOUSING ASSEMBLY		1				
D10		INC. 57						
057	GB00000082	BATTERY INDICATOR LABEL		1				
058	GB00000083	TAPPING SCREW ST4,2X15 SILV ER		2				
059	GB00000084	HEIGHT ADJUST GUIDE PLATE		1				
060	GB00000085	RUBBER SHEET FOR GUIDE PL ATE		1				
061	GB00000003	TAPPING SCREW ST4,2X15		2				
062	GB00000057	CORD CLAMP		1				
063	GB00000086	DECK ASSEMBLY		1				
D10		INC. 64-66						
064	GB00000087	SQUARE NUT M8		1				
065	GB00000087	SQUARE NUT M8		1				
066	GB00000088	HEX LOCK NUT M6		1				
067	GB00000141	NAMEPLATE DLM330		1				
068	GB00000151	GRASS CATCHER ASSY		1				
D10		INC. 69-76						
069	GB00000090	GRASS LEVEL INDICATOR PLAT E		1				
070	GB00000091	GRASS CATCHER UPPER PLAT E		1				
071	GB00000003	TAPPING SCREW ST4,2X15		1				
072	GB00000092	GRASS CATCHER GRIP		1				
073	GB00000142	GRASS CATCHER LOWER PLAT E ASSY		1				
074	GB00000003	TAPPING SCREW ST4,2X15		2				
075	GB00000094	FLAT WASHER 4,5X20X1,4		2				
076	GB00000095	GRASS CATCHER FLAME		1				
077	GB00000003	TAPPING SCREW ST4,2X15		1				
078	GB00000096	REAR FLAP TORSION SPRING		1				
079	GB00000097	REAR FLAP HINGE ROD		1				
081	GB00000099	REAR FLAP		1				
083	GB00000144	WARNING SOUND LABEL		1				
087	GB00000104	GRASS OUTLET LOWER PLATE		1				
088	GB00000003	TAPPING SCREW ST4,2X15		4				
089	GB00000105	HEX FLANGED+F130 LOCK NUT M6		2				
090	GB00000106	WHEEL 180MM		2				
091	GB00000107	REAR AXLE		1				
092	GB00000108	HEIGHT ADJUST TENSION SPRI NG		1				
093	GB00000109	TRUSS HEAD TAPPING SCREW 5X18		1				
094	GB00000110	AXLE FIX PLATE		2				
095	GB00000003	TAPPINGSCREWST42X15		4				

096	GB00000111	STEPPED PIN 10-12		1				
097	GB00000112	FLAT WASHER 10		1				
098	GB00000113	R-PIN 10		1	*			
098-1	GB00000159	R-PIN 10	>	1				
099	GB00000109	TRUSS HEAD TAPPING SCREW 5X18		1				
100	GB00000114	HEIGHT ADJUST LINK ROD REAR		1				
101	GB00000111	STEPPED PIN 10-12		1				
102	GB00000112	FLAT WASHER 10		1				
103	GB00000113	R-PIN 10		1	*			
103.1	GB00000159	R-PIN 10	>	1				
104	GB00000115	HEIGHT ADJUST LINK ROD FRONT		1				
105	GB00000116	PAN HEAD SCREW 6X30		1				
106	GB00000117	HEIGHT ADJUST LEVER ASSY		1				
107	GB00000118	FLAT HEAD SCREW M4X10		1				
108	GB00000119	GRIP FOR HEIGHT ADJUSTMENT		1				
109	GB00000105	HEX FLANGED+F130 LOCK NUT M6		2				
110	GB00000120	WHEEL 138MM		2				
111	GB00000110	AXLE FIX PLATE		2				
112	GB00000003	TAPPING SCREW ST4,2X15		4				
113	GB00000121	FRONT AXLE		1				
114	GB00000003	TAPPING SCREW ST4,2X15		2				
115	GB00000122	KEY SOCKET		1				
117	GB00000145	SERIAL NO. LABEL DLM330		1				
118	GB00000124	TERMINAL		1	*			
118-1	644809-6	ដំបូល	O	1				
119	GB00000125	INDICATOR UNIT		1				
120	GB00000126	CONTROLLER		1				
121	GB00000127	CLOSED END SPLICE 5,5.SD		3				
122	GB00000128	TAPPING SCREW ST3,0X8		2				
123	GB00000147	CARBON BRUSH ASSY WITH COIL		1				
124	GB00000148	MOTOR ASSY WITH CHOKE COIL		1				
D10		INC. 122,123						
125	GB00000131	HEX FLANGED BOLT M8X18 W/ BOND		4				
126	GB00000132	BLADE SUPPORT		1				
127	GB00000042	BLADE 330		1				
128	GB00000133	BLADE HEX BOLT M8X28 WITH WR		1				
A01	GB00000134	WRENCH 13		1				

សូមបញ្ជាក់លេខផ្នែកនៅពេលបញ្ជាទិញ

បោះពុម្ពកាលបរិច្ឆេទ 02/12/2024