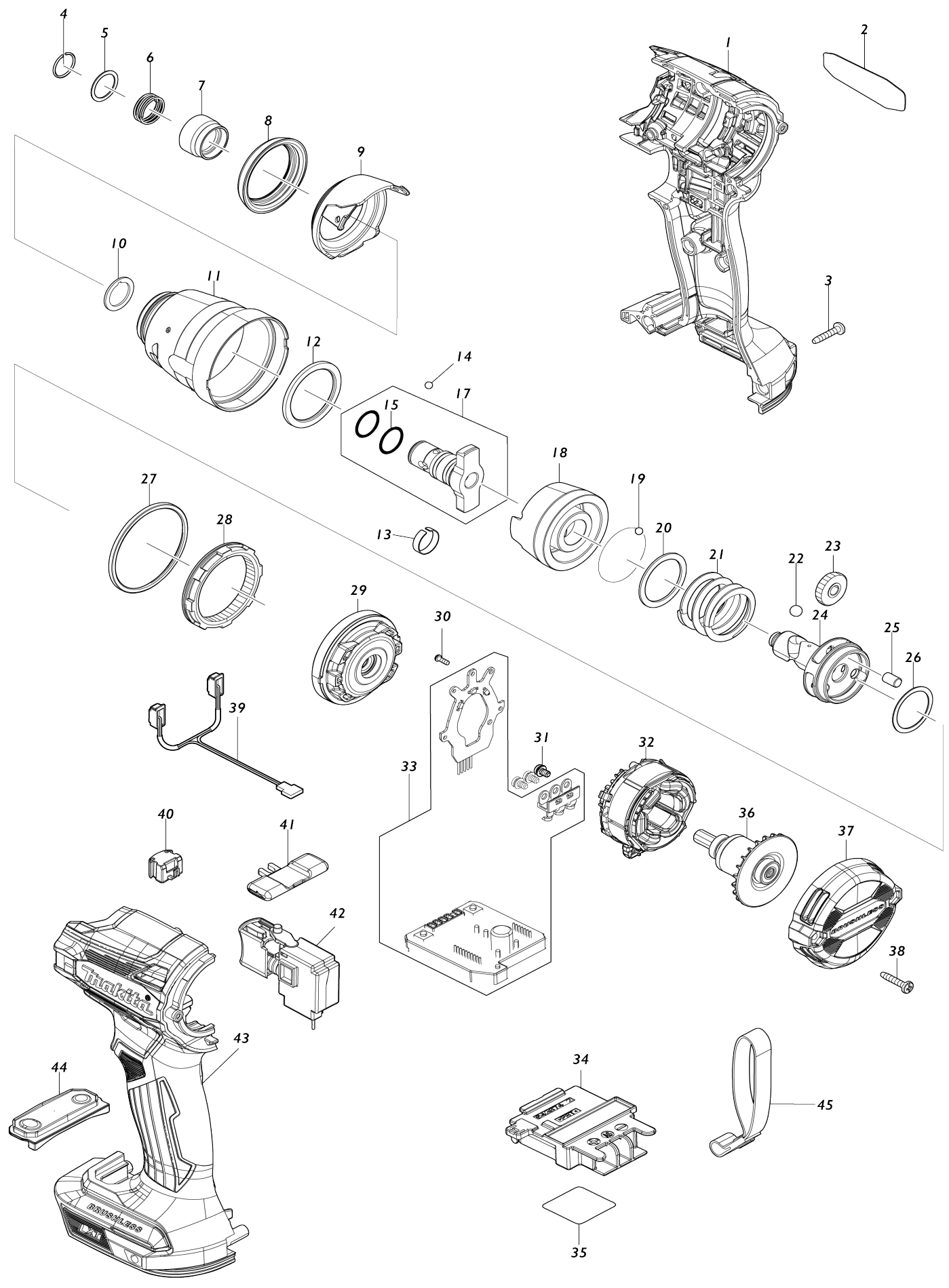


Model No.DTD172 CORDLESS IMPACT DRIVER



Model No.DTD172 CORDLESS IMPACT DRIVER

Item No.	Parts No.	Description	Interchangability	Q'ty	New/Old	Sales Price (USD)	Purchase Price(USD)	Note1	Note2
001	183S40-8	HOUSING SET		1					
C10	263005-3	RUBBER PIN 6		2					
C20	252126-6	HEX. LOCK NUT M4-7		2					
D10		INC. 43							
002	8111E5-4	DTD172 NAME PLATE		1					
003	266429-2	TAPPING SCREW 3X16		7					
004	231952-6	RING SPRING 12		1					
005	267101-9	FLAT WASHER 14		1					
006	232592-3	COMPRESSION SPRING 14		1					
007	327883-6	BIT SLEEVE		1					
008	422689-8	BUMPER		1					
009	413493-6	HAMMER CASE COVER		1					
011	141A40-6	HAMMER CASE COMPLETE		1					
012	261168-9	NYLON WASHER 29		1					
014	216040-0	STEEL BALL 3.5		2					
015	213166-9	O RING 12.5		2					
017	136547-9	ANVILN ASS'Y		1					
D10		INC. 15							
018	327785-6	HAMMER		1					
019	216040-0	STEEL BALL 3.5		24					
020	267175-0	FLAT WASHER 24		1					
021	232459-5	COMPRESSION SPRING 24B		1					
022	216011-7	STEEL BALL 5.6		2					
023	227350-0	SPUR GEAR 22		3					
024	327784-8	SPINDLE		1					
025	268311-1	PIN 5		3					
026	267283-7	FLAT WASHER 21		1					
027	422688-0	SEAL		1					
028	227882-7	INTERNAL GEAR 51		1					
029	141A41-4	BEARING BOX COMPLETE		1					
030	266490-9	TAPPING SCREW PT 2X6		3					
031	652069-6	FLAT HEAD SCREW M3X6		3					
032	629217-2	STATOR		1					
033	620E81-4	CONTROLLER		1					
034	643874-2	TERMINAL		1					
035	8111F2-7	DTD172 SERIAL NO. LABEL		1					
036	619678-4	ROTOR		1					
037	413494-4	REAR COVER		1					
038	266429-2	TAPPING SCREW 3X16		2					
039	620F12-9	LED CIRCUIT		1					
040	632L84-8	SWITCH UNIT		1					
041	455053-8	F/R CHANGE LEVER		1					
042	651442-7	SWITCH C3JR-1A-1		1					
043	183S40-8	HOUSING SET		1					
C10	263005-3	RUBBER PIN 6		2					
C20	252126-6	HEX. LOCK NUT M4-7		2					
D10		INC. 1							

044	141F68-4	SWITCH PLATE COMPLETE		1				
045	163400-6	HANDSTRAP		1				
A01	266622-8	+ TRUSS HEAD SCREW M4X12		1				
A02	346317-0	HOOK		1				
A03	E-10833	TWIST TORSION BIT PH2-65MM 1PC		1	*			
A03-1	A-67511	SLIM TWIST TORSION PH2-65 3P C	<	1				
A04	821550-0	CONNECTOR PLASTIC CASE (TYP E2)		1				
C10	453974-8	LATCH		4				
A05	837670-0	INNER TRAY		1				
A06	8042M5-3	DTD172RTJ PLASTIC CASE LABEL		2				
A07	8042M4-5	DTD172RTJ INDICATION LABEL		1				
A08	450128-8	BATTERY COVER		1				
A09	***DC18RC	DC18RC FAST CHARGER		1				
D10		COMPO-PARTS						
A10	197280-8	BATTERY BL1850B SET		2				
A06	8042N5-0	DTD172RTE PLASTIC CASE LABEL		2				
A07	821857-4	PLASTIC CARRYING CASE		1				
C10	324679-6	SHAFT		1				
C20	413728-5	LATCH		1				
C30	458362-4	LATCH		2				
C40	458363-2	HANDLE		1				

Please state Parts No. when your order.

Print Date 09/15/2023