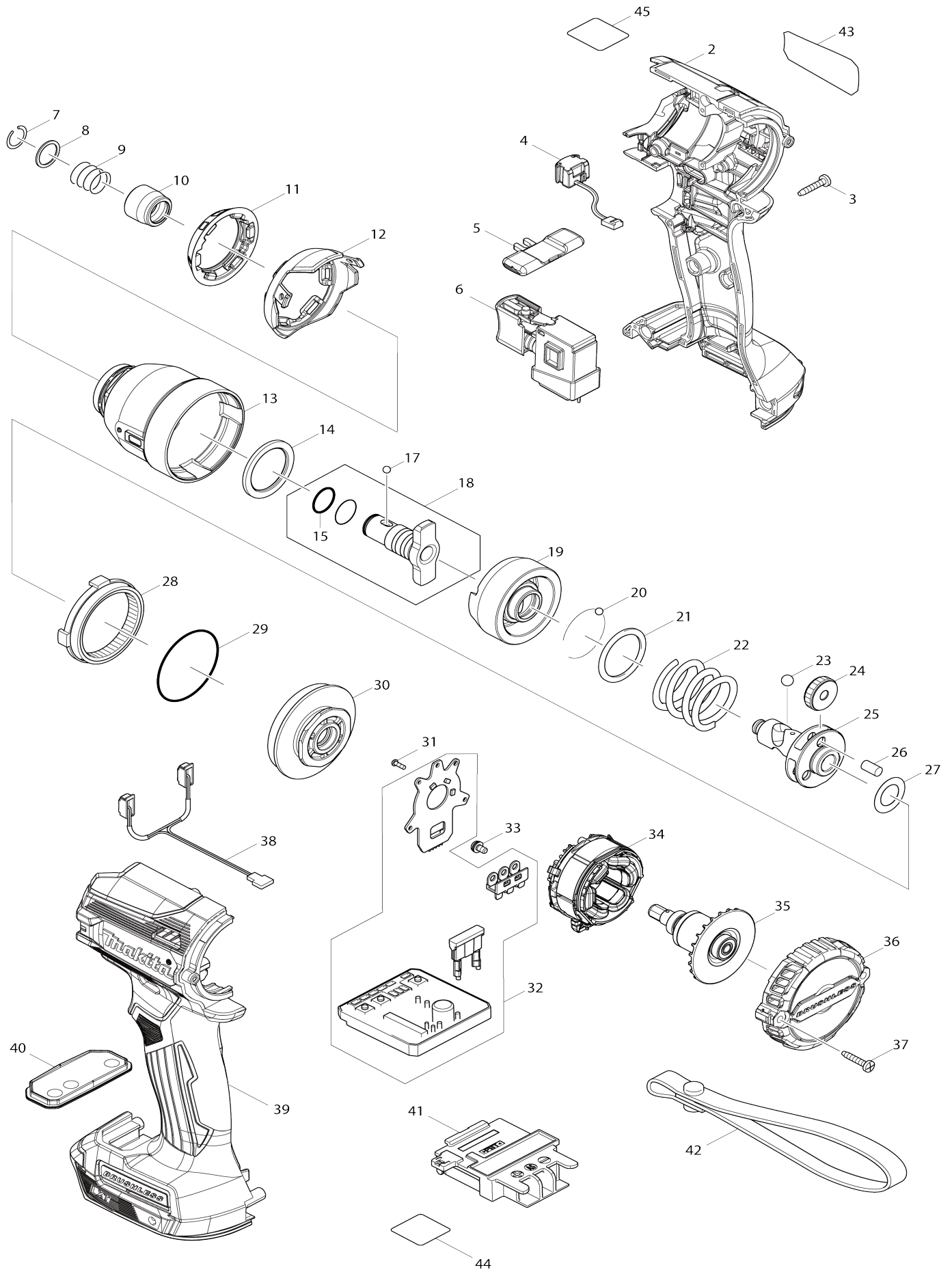


# Model No.DTD171 CORDLESS IMPACT DRIVER



Model No.DTD171 CORDLESS IMPACT DRIVER

Item No.	Parts No.	Description	Interchangability	Q'ty	New/Old	Sales Price (USD)	Purchase Price(USD)	Note1	Note2
002	183K87-4	HOUSING SET		1	*				
C10	263005-3	RUBBER PIN 6		2	*				
C20	252126-6	HEX. LOCK NUT M4-7		2	*				
D10		INC. 39							
002-1	183N06-8	HOUSING SET	<	1					
C10	263005-3	RUBBER PIN 6		2					
C20	252126-6	HEX. LOCK NUT M4-7		2					
D10		INC. 39							
003	266130-9	TAPPING SCREW BIND PT 3X16		8					
004	632L84-8	SWITCH UNIT		1					
005	455053-8	F/R CHANGE LEVER		1					
006	140B49-1	SWITCH COMPLETE		1					
C10	424496-5	SEAL		1					
007	231951-8	RING SPRING 11		1					
008	267085-1	FLAT WASHER 12		1					
009	233005-7	COMPRESSION SPRING 13		1					
010	326072-0	BIT SLEEVE		1					
011	422269-0	BUMPER		1					
012	458484-0	HAMMER CASE COVER		1					
013	140A51-8	HAMMER CASE COMPLETE		1					
014	261160-5	NYLON WASHER 30		1					
015	213118-0	O RING 12		2					
017	216001-0	STEEL BALL 3.5		2	*				
017-1	216040-0	STEEL BALL 3.5	O	2					
018	136063-1	ANVIL ASS'Y		1					
D10		INC. 15							
019	327114-3	HAMMER		1	*				
019-1	327750-5	HAMMER	O	1					
020	216001-0	STEEL BALL 3.5		24	*				
020-1	216040-0	STEEL BALL 3.5	O	24					
021	267175-0	FLAT WASHER 24		1					
022	232459-5	COMPRESSION SPRING 24B		1					
023	216011-7	STEEL BALL 5.6		2					
024	227338-0	SPUR GEAR 22		3					
025	327113-5	SPINDLE		1	*				
025-1	327751-3	SPINDLE	O	1					
026	268311-1	PIN 5		3					
027	253314-8	THIN WASHER 15		1	*				
027-1	253445-3	FLAT WASHER 15	O	1					
028	226182-2	INTERNAL GEAR 51		1					
029	213507-9	O RING 40		1					
030	143976-9	BEARING BOX COMPLETE		1					
031	266490-9	TAPPING SCREW PT 2X6		3					
032	620848-0	CONTROLLER		1	*				
032-1	620D48-6	CONTROLLER	O	1					
033	652069-6	FLAT HEAD SCREW M3X6		3					
034	629217-2	STATOR		1					

035	619408-3	ROTOR		1				
036	458478-5	REAR COVER		1				
037	266130-9	TAPPING SCREW BIND PT 3X16		2				
038	620849-8	LED CIRCUIT		1				
039	183K87-4	HOUSING SET		1	*			
C10	263005-3	RUBBER PIN 6		2	*			
C20	252126-6	HEX. LOCK NUT M4-7		2	*			
D10		INC. 2						
039-1	183N06-8	HOUSING SET	<	1				
C10	263005-3	RUBBER PIN 6		2				
C20	252126-6	HEX. LOCK NUT M4-7		2				
D10		INC. 2						
040	140G40-9	SWITCH PLATE COMPLETE		1				
041	643860-3	TERMINAL		1				
043	855E98-0	DTD171 NAME PLATE		1				
044	855F05-9	DTD171 SERIAL NO. LABEL		1				
A01	266622-8	+ TRUSS HEAD SCREW M4X12		1				
A02	346317-0	HOOK		1				
A03	B-66743	TWIST TORSIONBIT PH2-120 1PC		1	*			
A03-1	E-10833	TWIST TORSION BIT PH2-65MM 1PC	X	1	*			
A03-2	A-67511	SLIM TWIST TORSION PH2-65 3P C	<	1				
F08	194649-7	BATTERY PROTECTOR		1				
F09	195779-7	HOOK SET		1				
F10-1	197043-2	TOOL HANGER SET	O	1				
A04	450128-8	BATTERY COVER		1				
A05	***DC18RC	DC18RC FAST CHARGER		1				
A06	197600-6	BATTERY BL1830B SET		2	*			
A06-1	197600-6	BATTERY BL1830B SET	O	2				
A07	821550-0	CONNECTOR PLASTIC CASE (TYP E2)		1				
C10	453974-8	LATCH		4				
A08	818S88-8	DTD171RFJ PLASTIC CASE LABEL		2				
A09	818S87-0	DTD171RFJ INDICATION LABEL		1				
A10	837670-0	INNER TRAY		1				
A06	197280-8	BATTERY BL1850B SET		2	*			
A06-1	197280-8	BATTERY BL1850B SET	O	2				
A08	818S90-1	DTD171RTJ PLASTIC CASE LABEL		2				
A09	818S89-6	DTD171RTJ INDICATION LABEL		1				
002-1	183N09-2	HOUSING SET		1				
036	458481-6	REAR COVER		1				
039-1	183N09-2	HOUSING SET		1				
A08	8006Y3-3	DTD171TJAR PLASTIC CASE LABEL		2				
A09	8006Y2-5	DTD171TJAR INDICATION LABEL		1				
002-1	183N07-6	HOUSING SET		1				
036	458479-3	REAR COVER		1				
039-1	183N07-6	HOUSING SET		1				
A08	8006Y7-5	DTD171TJB PLASTIC CASE LABEL		2				
A09	8006Y6-7	DTD171TJB INDICATION LABEL		1				

Please state Parts No. when your order.

Print Date 09/15/2023