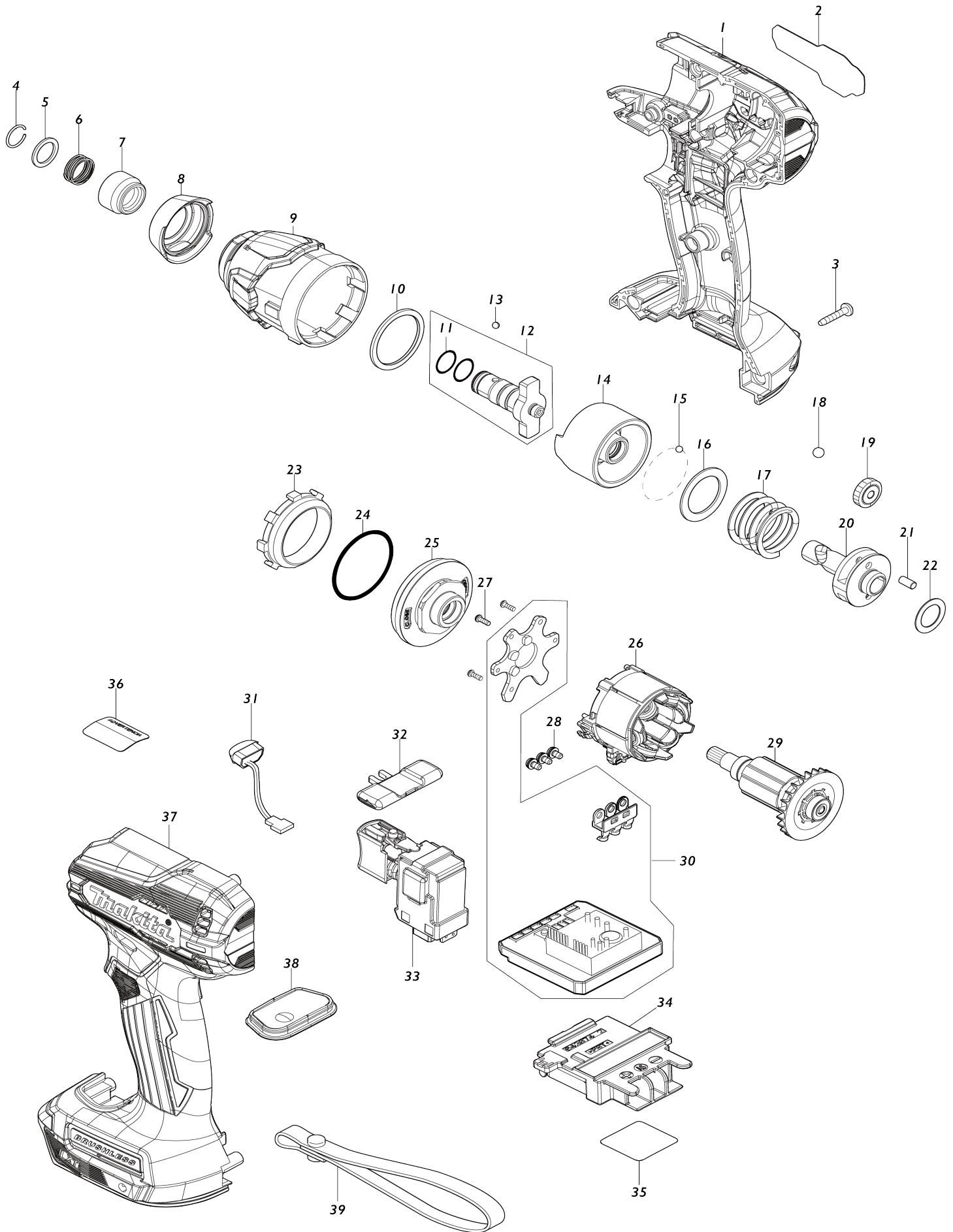


Model No.DTD157 CORDLESS IMPACT DRIVER



Model No.DTD157 CORDLESS IMPACT DRIVER

Item No.	Parts No.	Description	Interchangability	Q'ty	New/Old	Sales Price (USD)	Purchase Price(USD)	Note1	Note2
001	183S27-0	HOUSING SET		1					
C10	263005-3	RUBBER PIN 6		2					
C20	252126-6	HEX. LOCK NUT M4-7		2					
D10		INC. 37							
002	811B03-9	DTD157 NAME PLATE		1					
003	266429-2	TAPPING SCREW 3X16		9					
004	231965-7	RING SPRING 10		1					
005	267143-3	FLAT WASHER 11		1					
006	233005-7	COMPRESSION SPRING 13		1					
007	326803-7	BIT SLEEVE		1					
008	422661-0	BUMPER		1					
009	140Y09-1	HAMMER CASE COMPLETE		1					
010	261165-5	NYLON WASHER 26		1					
011	213920-1	O-RING 10.5		2					
012	136382-5	ANVIL N ASS'Y		1					
D10		INC. 11							
013	216019-1	STEEL BALL 3		2					
014	327824-2	HAMMER		1					
015	216019-1	STEEL BALL 3		24					
016	267380-9	FLAT WASHER 20		1					
017	232326-4	COMPRESSION SPRING 21		1					
018	216002-8	STEEL BALL 4.8		2					
019	227213-0	SPUR GEAR 17		2					
020	327743-2	SPINDLE		1					
021	268217-3	PIN 3.5		2					
022	253052-2	FLAT WASHER 12		1					
023	227316-0	INTERNAL GEAR 43		1					
024	213479-8	O RING 33		1					
025	140Y11-4	BEARING BOX COMPLETE		1					
026	629A44-3	STATOR		1					
027	266490-9	TAPPING SCREW PT 2X6		3					
028	652069-6	FLAT HEAD SCREW M3X6		3					
029	619672-6	ROTOR		1					
030	620E43-2	CONTROLLER		1					
031	620521-2	LED CIRCUIT		1					
032	455053-8	F/R CHANGE LEVER		1					
033	143975-1	SWITCH COMPLETE		1	*				
033-1	141N42-0	SWITCH COMPLETE	O	1	*				
033-2	143975-1	SWITCH COMPLETE	O	1					
034	643874-2	TERMINAL		1					
035	811B11-0	DTD157 SERIAL NO. LABEL		1					
037	183S27-0	HOUSING SET		1					
C10	263005-3	RUBBER PIN 6		2					
C20	252126-6	HEX. LOCK NUT M4-7		2					
D10		INC. 1							
038	144137-4	SWITCH PLATE COMPLETE		1					
039	163400-6	HANDSTRAP		1					

A01	346317-0	HOOK		1				
A02	266622-8	+ TRUSS HEAD SCREW M4X12		1				
F01	191K57-9	TOOL HANGER SET		1	*			
F01-1	197043-2	TOOL HANGER SET	<	1				
F05	194654-4	HOOK SET		1				
A03	821550-0	CONNECTOR PLASTIC CASE (TYPE2)		1				
C10	453974-8	LATCH		4				
A04	8030E6-0	DTD157RTJ PLASTIC CASE LABEL		2				
A05	8030E5-2	DTD157RTJ INDICATION LABEL		1				
A06	837670-0	INNER TRAY		1				
A07	***DC18RC	DC18RC FAST CHARGER		1				
D10		COMPO-PARTS						
A08	197280-8	BATTERY BL1850B SET		2				
A09	450128-8	BATTERY COVER		1				

Please state Parts No. when your order.

Print Date 09/15/2023