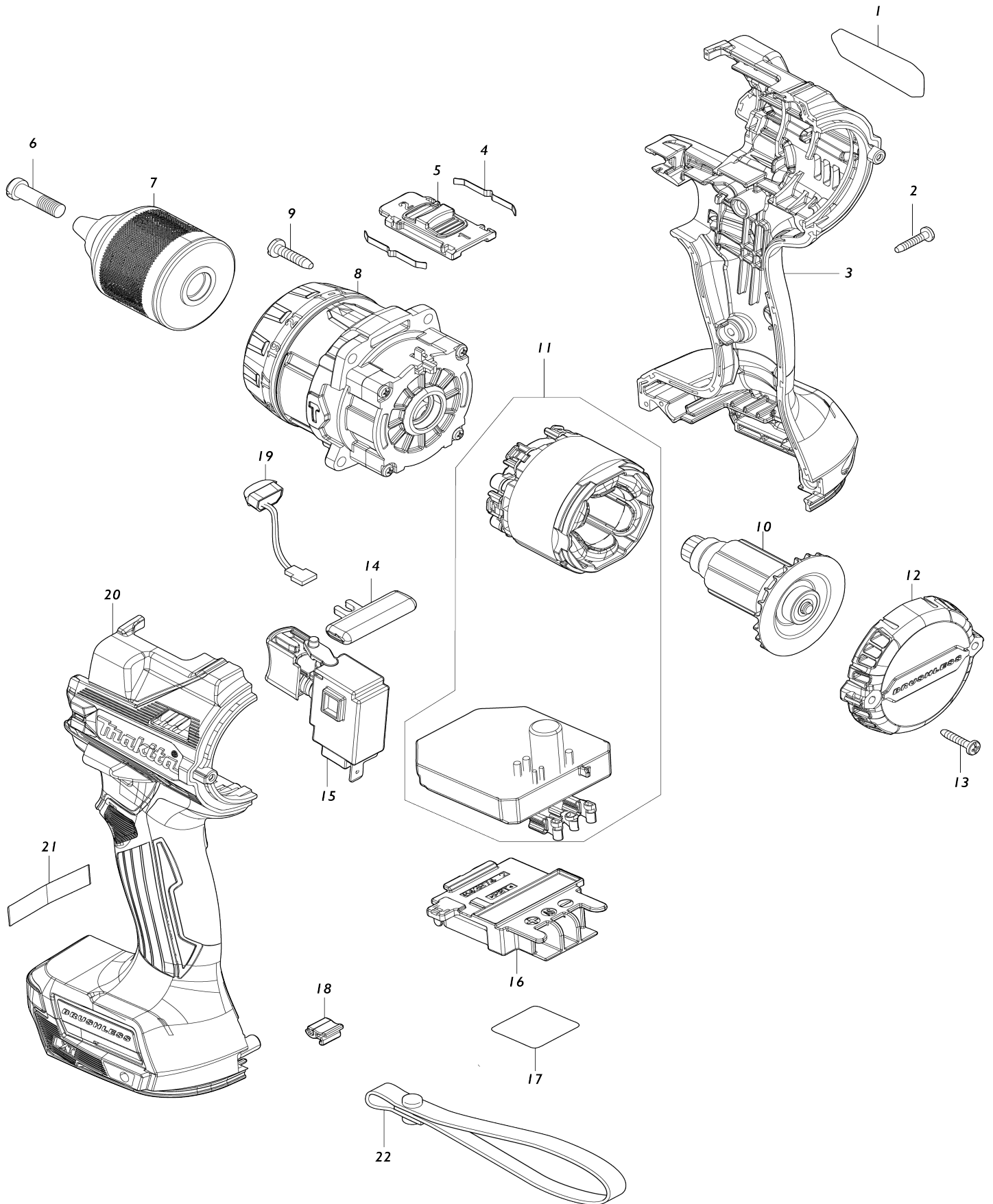


Model No.DHP486 CORDLESS HAMMER DRIVER DRILL



Model No.DHP486 CORDLESS HAMMER DRIVER DRILL

| Item No. | Parts No. | Description | Interchangability | Q'ty | New/Old | Sales Price (USD) | Purchase Price(USD) | Note1 | Note2 |
|----------|-----------|-----------------------------|-------------------|------|---------|-------------------|---------------------|-------|-------|
| 001 | 811B29-1 | DHP486 NAME PLATE | | 1 | | | | | |
| 002 | 266130-9 | TAPPING SCREW BIND PT 3X16 | | 7 | | | | | |
| 003 | 183R83-4 | HOUSING SET | | 1 | | | | | |
| C10 | 263005-3 | RUBBER PIN 6 | | 2 | | | | | |
| C20 | 252126-6 | HEX. LOCK NUT M4-7 | | 2 | | | | | |
| D10 | | INC. 20 | | | | | | | |
| 004 | 232220-0 | LEAF SPRING | | 2 | | | | | |
| 005 | 127494-5 | SPEED CHANGE LEVER ASSEMBLY | | 1 | | | | | |
| C10 | 233438-6 | COMPRESSION SPRING 4 | | 2 | | | | | |
| 006 | 251468-5 | - FLAT HEAD SCREW M6X22 | | 1 | | | | | |
| 007 | 763252-1 | KEYLESS DRILL CHUCK 13 | | 1 | | | | | |
| 008 | 127698-9 | GEAR ASSEMBLY | | 1 | * | | | | |
| 008-1 | 122A92-6 | GEAR ASSEMBLY | < | 1 | * | | | | |
| 008-2 | 122B68-9 | GEAR ASSEMBLY | O | 1 | * | | | | |
| 008-3 | 122F80-3 | GEAR ASSEMBLY | < | 1 | | | | | |
| 009 | 266326-2 | TAPPING SCREW 4X18 | | 4 | | | | | |
| 010 | 619656-4 | ROTOR | | 1 | * | | | | |
| 010-1 | 619656-4 | ROTOR | O | 1 | | | | | |
| 011 | 629A33-8 | STATOR COMPLETE | | 1 | * | | | | |
| 011-1 | 629B79-0 | STATOR COMPLETE | O | 1 | * | | | | |
| 011-2 | 629C05-5 | STATOR COMPLETE | < | 1 | | | | | |
| 012 | 413405-9 | REAR COVER | | 1 | | | | | |
| 013 | 266130-9 | TAPPING SCREW BIND PT 3X16 | | 2 | | | | | |
| 014 | 419041-9 | F/R CHANGE LEVER | | 1 | | | | | |
| 015 | 651443-5 | SWITCH C3JR-4B | | 1 | | | | | |
| 016 | 643874-2 | TERMINAL | | 1 | | | | | |
| 017 | 811B36-4 | DHP486 SERIAL NO. LABEL | | 1 | | | | | |
| 018 | 424517-3 | CUSHION | | 1 | | | | | |
| 019 | 620549-0 | LED CIRCUIT | | 1 | | | | | |
| 020 | 183R83-4 | HOUSING SET | | 1 | | | | | |
| C10 | 263005-3 | RUBBER PIN 6 | | 2 | | | | | |
| C20 | 252126-6 | HEX. LOCK NUT M4-7 | | 2 | | | | | |
| D10 | | INC. 3 | | | | | | | |
| 022 | 163400-6 | HANDSTRAP | | 1 | | | | | |
| A01 | 122576-8 | STOPPER POLE ASS'Y | | 1 | | | | | |
| A02 | 127701-6 | GRIP ASSEMBLY | | 1 | * | | | | |
| C10 | 140U91-6 | POLE COMPLETE | | 1 | * | | | | |
| C20 | 140X19-2 | ARM R COMPLETE | | 1 | * | | | | |
| C30 | 265785-7 | THUMB SCREW M5X10 | | 1 | * | | | | |
| C40 | 266886-4 | HEX. BOLT M8X65 | | 1 | * | | | | |
| C50 | 312A63-3 | ARM L | | 1 | * | | | | |
| C60 | 931202-6 | HEX. NUT M5 | | 1 | * | | | | |
| C70 | 962055-2 | RETAINING RING (INT) R-15 | | 1 | * | | | | |
| A02-1 | 122C01-7 | GRIP ASSEMBLY | < | 1 | * | | | | |
| C10 | 140U91-6 | POLE COMPLETE | | 1 | * | | | | |
| C20 | 140X19-2 | ARM R COMPLETE | | 1 | * | | | | |
| C30 | 265785-7 | THUMB SCREW M5X10 | | 1 | * | | | | |

| | | | | | | | | |
|-------|-----------|---------------------------|---|---|---|--|--|--|
| C40 | 266886-4 | HEX. BOLT M8X65 | | 1 | * | | | |
| C50 | 312C73-2 | ARM L | | 1 | * | | | |
| C60 | 931202-6 | HEX. NUT M5 | | 1 | * | | | |
| C70 | 962055-2 | RETAINING RING (INT) R-15 | | 1 | * | | | |
| A02-2 | 122D10-2 | GRIP ASSEMBLY | O | 1 | * | | | |
| C10 | 140U91-6 | POLE COMPLETE | | 1 | * | | | |
| C20 | 140X19-2 | ARM R COMPLETE | | 1 | * | | | |
| C30 | 265C34-0 | THUMB SCREW M5X10 | | 1 | * | | | |
| C40 | 266886-4 | HEX. BOLT M8X65 | | 1 | * | | | |
| C50 | 312C73-2 | ARM L | | 1 | * | | | |
| C60 | 931202-6 | HEX. NUT M5 | | 1 | * | | | |
| C70 | 962055-2 | RETAINING RING (INT) R-15 | | 1 | * | | | |
| A02-3 | 122F12-0 | GRIP ASSEMBLY | O | 1 | | | | |
| C10 | 141R99-5 | POLE COMPLETE | | 1 | | | | |
| C20 | 140X19-2 | ARM R COMPLETE | | 1 | | | | |
| C30 | 265C34-0 | THUMB SCREW M5X10 | | 1 | | | | |
| C40 | 266886-4 | HEX. BOLT M8X65 | | 1 | | | | |
| C50 | 312C73-2 | ARM L | | 1 | | | | |
| C60 | 931202-6 | HEX. NUT M5 | | 1 | | | | |
| C70 | 962055-2 | RETAINING RING (INT) R-15 | | 1 | | | | |
| A03 | 251314-2 | + SCREW M4X12 | | 2 | | | | |
| A04 | 346317-0 | HOOK | | 1 | | | | |
| A05 | 452947-8 | BIT HOLDER | | 1 | | | | |
| A06 | 784637-8 | + - BIT 2-45 | | 2 | | | | |
| A07 | 821524-1 | PLASTIC CARRYING CASE | | 1 | | | | |
| C10 | 162302-3 | LATCH | | 2 | | | | |
| C20 | 325809-2 | SHAFT | | 1 | | | | |
| C30 | 451749-9 | HANDLE | | 1 | | | | |
| C40 | 453473-0 | PLASTIC CASE LID | | 1 | | | | |
| A08 | ***DC18RC | DC18RC FAST CHARGER | | 1 | | | | |
| A09 | 197280-8 | BATTERY BL1850B SET | | 2 | | | | |
| A10 | 450128-8 | BATTERY COVER | | 1 | | | | |

Please state Parts No. when your order.

Print Date 09/15/2023