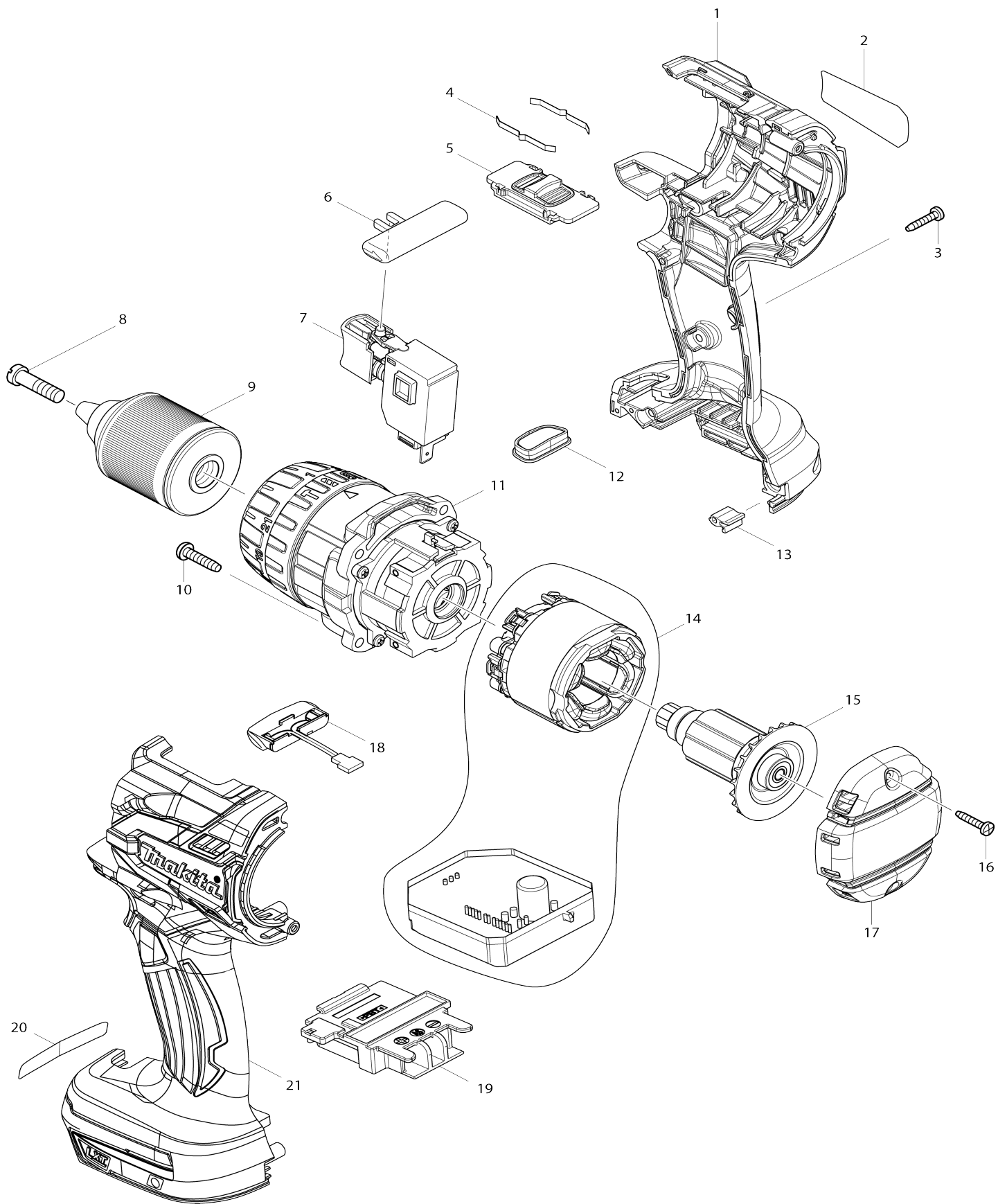


# Model No.DHP481 CORDLESS HAMMER DRIVER DRILL



Model No.DHP481 CORDLESS HAMMER DRIVER DRILL

Item No.	Parts No.	Description	Interchangability	Q'ty	New/Old	Sales Price (USD)	Purchase Price(USD)	Note1	Note2
001	187921-4	HOUSING SET		1					
C10	263005-3	RUBBER PIN 6		2					
D10		INC. 21							
002	815571-6	DHP481 NAME PLATE		1	*				
002-1	857L10-8	DHP481 NAME PLATE	S	1					
003	266130-9	TAPPING SCREW BIND PT 3X16		7					
004	232220-0	LEAF SPRING		2					
005	126411-2	SPEED CHANGE LEVER ASSEMBLY		1					
C10	233438-6	COMPRESSION SPRING 4		2					
006	419250-0	F/R CHANGE LEVER		1					
007	650710-5	SWITCH C3JW-4B		1	*				
007-1	650006-4	SWITCH TGRK2-1	O	1					
008	251468-5	- FLAT HEAD SCREW M6X22		1					
009-1	763252-1	KEYLESS DRILL CHUCK 13		1					
010	265995-6	TAPPING SCREW 4X18		4	*				
010-1	266326-2	TAPPING SCREW 4X18	O	4					
011	126410-4	GEAR ASSEMBLY		1					
012	142263-3	INDICATOR PANEL COMPLETE		1					
013	424517-3	CUSHION		1					
014	629116-8	STATOR COMPLETE		1					
015-1	619397-2	ROTOR		1					
016	266130-9	TAPPING SCREW BIND PT 3X16		2					
017	455011-4	REAR COVER		1					
018	620283-2	LED CIRCUIT		1					
019	643899-6	TERMINAL		1					
021	187921-4	HOUSING SET		1					
C10	263005-3	RUBBER PIN 6		2					
D10		INC. 1							
022	857L11-6	DHP481 SERIAL NO. LABEL	S	1					
A01	122576-8	STOPPER POLE ASS'Y		1					
A02	126413-8	GRIP ASSEMBLY		1	*				
C10	142652-2	POLE COMPLETE		1	*				
C11	140R59-4	POLE COMPLETE	<	1	*				
C20	142653-0	ARM R COMPLETE		1	*				
C30	265785-7	THUMB SCREW M5X10		1	*				
C40	266886-4	HEX. BOLT M8X65		1	*				
C50	319129-4	ARM L		1	*				
C60	931202-6	HEX. NUT M5		1	*				
C70	962055-2	RETAINING RING (INT) R-15		1	*				
A02-1	122D11-0	GRIP ASSEMBLY	O	1					
C11	140R59-4	POLE COMPLETE		1					
C20	142653-0	ARM R COMPLETE		1					
C30	265C34-0	THUMB SCREW M5X10		1					
C40	266886-4	HEX. BOLT M8X65		1					
C50	319129-4	ARM L		1					
C60	931202-6	HEX. NUT M5		1					
C70	962055-2	RETAINING RING (INT) R-15		1					

A03	251314-2	+ SCREW M4X12		2					
A04	346317-0	HOOK		1					
A05	452947-8	BIT HOLDER		1					
A06	784637-8	+ - BIT 2-45		2					
F06-3	197606-4	BATTERY BL1830B SET (2PIECES)	O	1					
F09-3	197600-6	BATTERY BL1830B SET	O	1					
F10-4	197599-5	BATTERY BL1830B SET	O	1					
F11-3	197267-0	BATTERY BL1840B SET	O	1					
F12-3	197267-0	BATTERY BL1840B SET	O	1					
F13-3	197265-4	BATTERY BL1840B SET	O	1					
F14-3	197265-4	BATTERY BL1840B SET	O	1					
F15-3	197273-5	BATTERY BL1840B SET(2PIECES)	O	1					
F16-3	197280-8	BATTERY BL1850B SET	O	1					
F17-3	197280-8	BATTERY BL1850B SET	O	1					
F18-3	197282-4	BATTERY BL1850B SET	O	1					
F19-3	197282-4	BATTERY BL1850B SET	O	1					
F23-3	197288-2	BATTERY BL1850B SET 2PIECES	O	1					
F30-1	197422-4	BATTERY BL1860B SET	O	1					
F31-1	197423-2	BATTERY BL1860B SET	O	1					
F32-1	197428-2	BATTERY BL1860B SET (2PIECES)	O	1					
A07	821524-1	PLASTIC CARRYING CASE		1					
C10	162302-3	LATCH		2					
C20	325809-2	SHAFT		1					
C30	451749-9	HANDLE		1					
C40	453473-0	PLASTIC CASE LID		1					
A08	***DC18RC	DC18RC FAST CHARGER		1					
A09	197280-8	BATTERY BL1850B SET		2					
A10	450128-8	BATTERY COVER		1					

Please state Parts No. when your order.

Print Date 09/15/2023