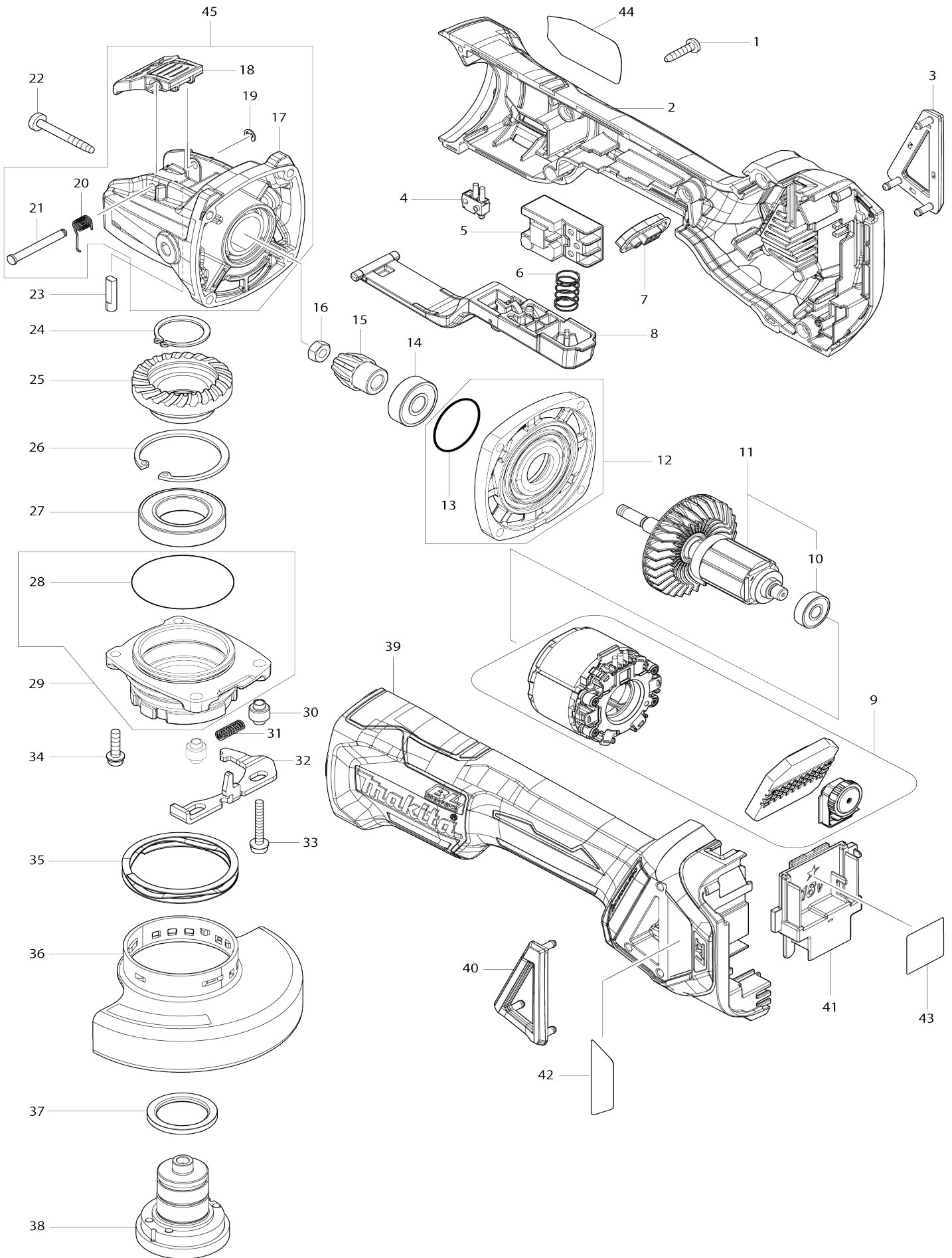


Model No.DGA419 100MM CORDLESS ANGLE GRINDER



Model No.DGA419 100MM CORDLESS ANGLE GRINDER

Item No.	Parts No.	Description	Interchangability	Q'ty	New/Old	Sales Price (USD)	Purchase Price(USD)	Note1	Note2
001	266326-2	TAPPING SCREW 4X18		5					
002	183H86-8	MOTOR HOUSING SET		1					
C10	263005-3	RUBBER PIN 6		2					
D10		INC. 39							
003	455450-8	DUST COVER R		1					
004	632E12-1	SWITCH UNIT		1					
005	650734-1	SWITCH TG73BDS-2		1					
006	234357-9	COMPRESSION SPRING 11		1					
007	142901-7	INDICATOR PANEL COMPLETE		1					
008	142976-6	SWITCH LEVER COMPLETE		1					
009	629304-7	STATOR COMPLETE		1	*				
009-1	629B61-9	STATOR	S	1					
010	210169-4	BALL BEARING 607LLB		1	*				
010-1	210290-9	BALL BEARING 607LLB	O	1					
011	510440-9	ROTOR ASS'Y		1	*				
D10		INC. 10							
011-1	510440-9	ROTOR ASS'Y	O	1					
D10		INC. 10							
012	135930-7	GEAR HOUSING COVER ASSEMBLY		1					
D10		INC. 13							
013	213445-5	O-RING 26		1					
014	210042-8	BALL BEARING 629LLB		1					
015	226950-3	SPIRAL BEVEL GEAR 10		1					
016	252186-8	HEX. NUT M6		1					
017	140N76-0	GEAR HOUSING COMPLETE		1					
018	459967-3	LEVER		1					
019	961017-7	STOP RING E-3		1					
020	232576-1	TORSION SPRING 5		1					
021	256935-5	HEADED PIN 4		1					
022	266361-0	TAPPING SCREW 4X30		4					
023	327460-4	SHAFT		1					
024	961104-2	RETAINING RING S-24		1					
025	226951-1	SPIRAL BEVEL GEAR 37		1					
026	962201-7	RETAINING RING (INT) R-42		1					
027	210208-0	BALL BEARING 6905DDW		1					
028	213622-9	O RING 45		1					
029	136199-6	BEARING BOX ASS'Y		1					
D10		INC. 28							
030	327322-6	SLEEVE 4		2					
031	232490-1	COMPRESSION SPRING 4		1					
032	347615-5	LEVER		1					
033	911159-7	PAN HEAD SCREW M4X30		2					
034	911138-5	P.H.SCREW M4X20 WITH WR		2					
035	232577-9	COLIED WAVE SPRING 49		1	*				
035-1	232577-9	COLIED WAVE SPRING 49	O	1					
036	347616-3	WHEEL COVER 100		1					
037	327459-9	RING 25		1					

038	127428-8	SPINDLE ASSEMBLY		1				
039	183H86-8	MOTOR HOUSING SET		1				
C10	263005-3	RUBBER PIN 6		2				
D10		INC. 2						
040	455449-3	DUST COVER L		1				
041	643874-2	TERMINAL		1				
042	816D93-9	INDICATION LABEL		1				
043	856R49-4	DGA419 SERIAL NO. LABEL		1				
044	856R47-8	DGA419 NAME PLATE		1				
045	136209-9	GEAR HOUSING ASS'Y		1				
D10		INC. 17-21						
046	620K21-8	CONTROLLER	S	1				
047	652119-7	PAN HEAD SCREW M2X6	S	6				
A01	158237-4	GRIP 36 COMPLETE		1				
A02	E-00496	GRINDING WHEEL INOX 100 X-L OCK		1				
F03	194514-0	VIBRATION PROOF GRIP SET		1				
F04	191V54-1	CUTTING W.C.A. 100 SET		1				
A03	450128-8	BATTERY COVER		2				
A04	***DC18RC	DC18RC FAST CHARGER		1				
D10		COMPO-PARTS						
A05	197280-8	BATTERY BL1850B SET		2				
A06	821551-8	CONNECTOR PLASTIC CASE (TYP E3)		1				
C10	453974-8	LATCH		4				
A07	8009B1-4	DGA419RTJ INDICATION LABEL		1				
A08	8009B2-2	DGA419RTJ PLASTIC CASE LABEL		2				
A09	839252-4	INNER TRAY		1				

Please state Parts No. when your order.

Print Date 09/15/2023