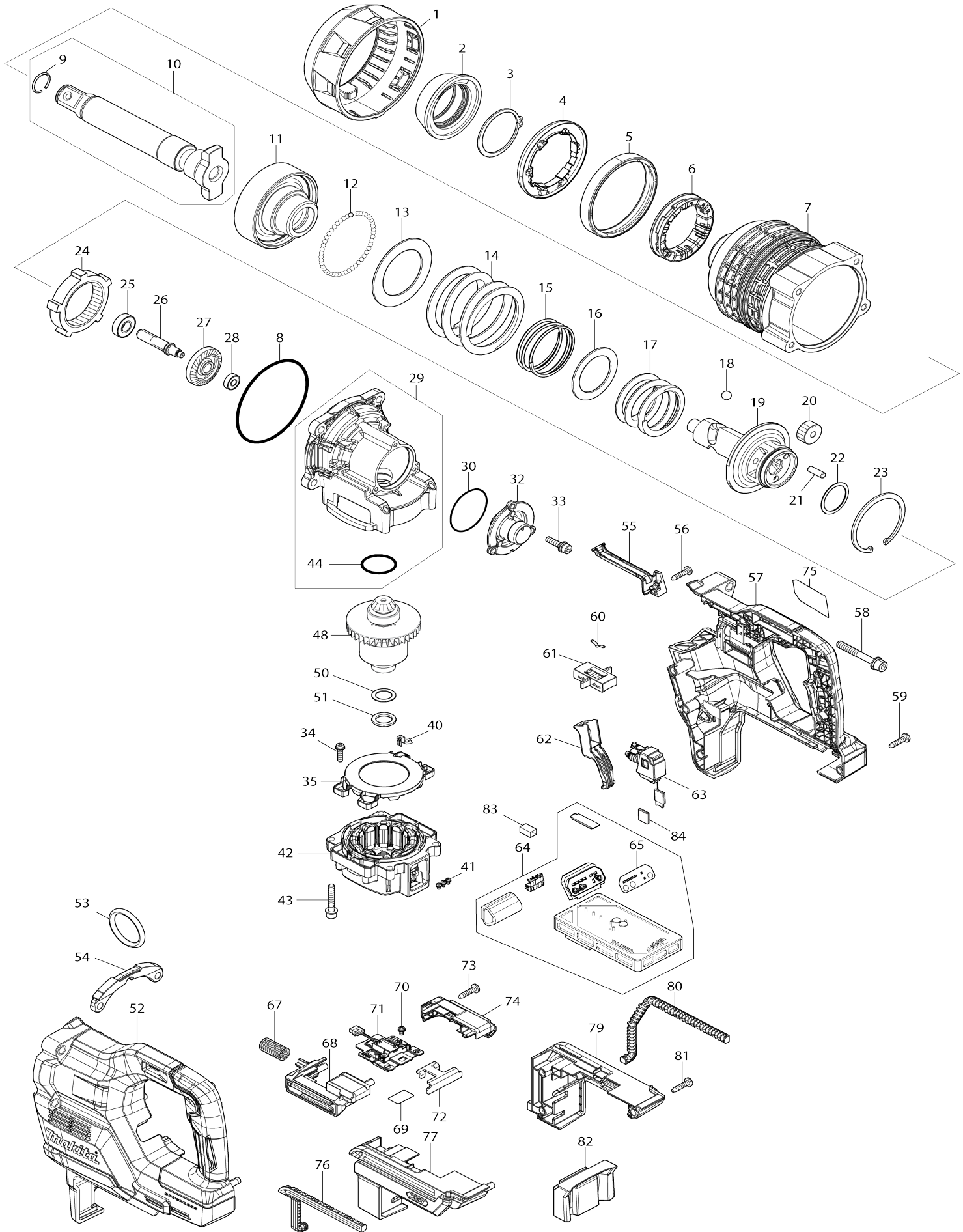


# Model No.TW010G Cordless Impact Wrench





030	213604-1	O-ring 50		1				
032	137161-4	Bearing cover assembly		1				
C10	263002-9	Rubber pin 4		1				
033	266903-0	Hex. socket head bolt M5X20 WR		3				
034	911128-8	Pan head screw M4X16 WR		4				
035	4130L1-7	Baffle plate		1				
036	4130L0-9	Motor housing inner		1	*			
037	629C72-0	Stator		1	*			
038	620P37-3	Controller B		1	*			
039	687B69-9	Stopper		1	*			
041	652031-1	Pan head screw M3X6		3	*			
041-1	652077-7	Flat head screw M3X6	O	3				
042	312F54-4	Motor housing		1	*			
042-1	1410X4-2	Motor housing complete	S	1	*			
042-2	1412A8-5	Motor housing complete	<	1	*			
042-3	1413H0-6	Motor housing complete	<	1	*			
042-4	1414C8-1	Motor housing complete	O	1				
043	265D24-9	Hex. socket head bolt M5X30 WR M		4	*			
043-1	265E69-3	Hex. socket head bolt M5X30 WR M	O	4				
044	213460-9	O-ring 35		1				
048	519860-4	Rotor assembly		1	*			
048-1	519860-4	Rotor assembly	O	1				
050	253198-4	Flat washer 18		1				
051	261129-9	Urethane washer 18		1				
052	1830L3-4	Housing set		1	*			
052		INC. 57			*			
052-1	1831F9-6	Housing set	<	1				
052-1		INC. 57						
053	282022-4	Ring 40		1				
054	162D36-2	Bracket		1				
055	4130L2-5	Lead cover		1	*			
055-1	4133K1-8	Lead cover A	O	1				
056	266326-2	Binding head tapping screw 4X1 8		1				
057	1830L3-4	Housing set		1	*			
057		INC. 52			*			
057-1	1831F9-6	Housing set	<	1				
057-1		INC. 52						
058	265D71-0	Hex. socket head bolt M8X60 WR M		4				
059	266326-2	Binding head tapping screw 4X1 8		12				
060	232872-7	Leaf spring		1				
061	141W75-9	F/R change lever complete		1				
062	4130L3-3	Switch lever		1				
063	141W69-4	Switch complete		1	*			
063-1	1411Y4-5	Switch complete	S	1	*			
063-2	1413D4-0	Switch complete	S	1				
064	137160-6	Controller assembly		1	*			
064		INC. 65			*			
064-1	137245-8	Controller assembly	S	1	*			

064-1		INC. 65			*				
064-2	137285-6	Controller unit assembly	S	1	*				
064-2		INC. 65			*				
064-3	137463-8	CONTROLLER ASSY	S	1					
064-3		INC. 65							
065	8012S9-8	Switch label		1					
066	266490-9	Pan head tapping screw 2X6		3	*				
067	232650-5	Compression spring 13		1					
068	1830L0-0	Battery holder set		1					
C10	263005-3	Rubber pin 6		2					
068		INC. 74							
069	8146J7-4	Serial No. label TW010G		1					
070	652031-1	Pan head screw M3X6		2					
071	632T08-2	Terminal unit		1	*				
071-1	632W79-7	Terminal unit	<	1					
072	347C62-8	Support plate		1					
073	266326-2	Binding head tapping screw 4X18		2					
074	1830L0-0	Battery holder set		1					
C10	263005-3	Rubber pin 6		2					
074		INC. 68							
075	8146J5-8	Name plate TW010G		1					
076	422B69-0	Cushion rubber L		1					
077	1830L1-8	Battery housing set		1					
077		INC. 79							
079	1830L1-8	Battery housing set		1					
079		INC. 77							
080	422B70-5	Cushion rubber R		1					
081	266326-2	Binding head tapping screw 4X18		3					
082	422642-4	Cushion rubber		1					
083	685725-3	Sponge		1					
084	424248-4	Sponge sheet 15-25	S	1	*				
084-1	685725-3	Sponge	S	1					
A01	122G63-9	Side handle assembly		1					
A02B	821929-5	Plastic case		1					
C10	162271-8	Latch		2					
A03B	412393-7	Battery cover		2					
A04B	***DC40RA	DC40RA FAST CHARGER		1					
A04B		COMPO-PARTS							
A05B	191L47-8	Battery BL4050F set		2	*				
A05-1 B	1918A3-1	Battery BL4050F set	<	2					

Please state Parts No. when your order.

Print Date 03/27/2026