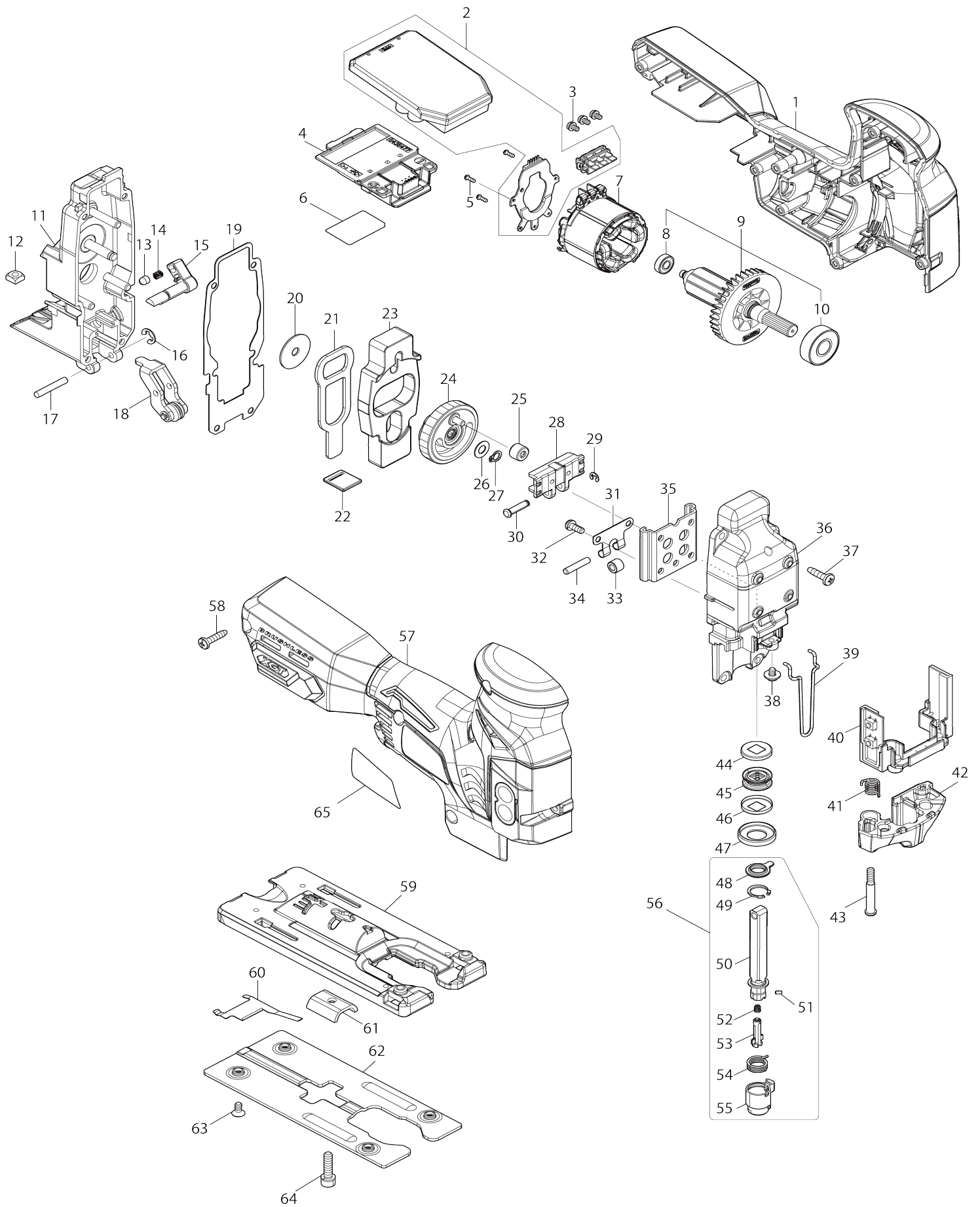


Model No. JV001G Cordless Jig Saw



Model No. JV001G Cordless Jig Saw

Item No.	Parts No.	Description	Interchangeability	Q'ty	New/Old	Sales Price (USD)	Purchase Price(USD)	Note1	Note2
001	183W95-7	Housing set		1	*				
C10	263005-3	Rubber pin 6		2	*				
C20	8066F9-6	Switch label		2	*				
001		INC. 57			*				
001-1	1831E5-7	Housing set	<	1					
C10	263005-3	Rubber pin 6		2					
C20	8066F9-6	Switch label		2					
001-1		INC. 57							
002	620J88-0	Controller		1	*				
002-1	620P44-6	Controller	<	1					
003	652069-6	Flat head screw M3X6		3					
004	632P65-6	Terminal unit		1					
005	266490-9	Pan head tapping screw 2X6		3					
006	858U20-2	Serial No. label JV001G		1					
007	629B64-3	Stator		1					
008	210039-7	Ball bearing 695DDW		1					
009	519769-0	Rotor assembly		1					
009		INC. 8,10							
010	210059-1	Ball bearing 6000DDW		1					
011	142111-6	Gear housing complete		1					
C10	263002-9	Rubber pin 4		1					
012	252171-1	Square nut M5-8		1					
013	286032-3	Cap 5		1					
014	233139-6	Compression spring 3		1					
015	272280-0	Lever 17		1					
016	961018-5	Stop ring (EXT) E-5		1					
017	268063-4	Pin 4		1					
018	142110-8	Retainer complete		1					
019	442195-7	Gasket		1					
020	253196-8	Flat washer 6		1					
021	346688-5	Push plate		1					
022	454484-8	Seal plate		1					
023	313260-8	Balance plate		1					
024	142109-3	Gear complete		1					
025	212092-9	Needle bearing 407		1					
026	253715-0	Flat washer 6		1					
027	961002-0	Retaining ring (EXT) S-6		1					
028	310837-0	Slider		1					
029	961017-7	Stop ring (EXT) E-3		1					
030	268090-1	Flat fillister HD. pin 4		1					
031	232207-2	Leaf spring		1					
032	911111-5	Pan head screw M4X10 W		4					
033	214031-5	Plane bearing 4		1					
034	256117-9	Pin 4		1					
035	347B50-9	Linear guide		1					
036	141R27-0	Gear housing cover complete		1					
037	266034-5	Binding head tapping screw 4X16		4					

038	911104-2	Pan head screw M4X6 WG		1	*			
038-1	265132-2	Pan head screw M4X5	O	1				
039	326302-9	Safety wire		1				
040	620J89-8	Switch unit		1				
041	231659-4	Torsion spring 6		1				
042	454483-0	Tool opener		1				
043	265026-1	Pan head shoulder screw M4		1				
044	267854-0	Cup washer 8		1				
045	421815-6	Dust seal 8		1				
046	267854-0	Cup washer 8		1				
047	257347-5	Ring 21		1				
048	424569-4	Dust cover		1				
049	962063-3	Retaining ring (INT) round R-13		1				
050	165724-6	Rod		1				
051	256528-8	Pin 2		1				
052	233314-4	Compression spring 4		1				
053	310485-5	Lock pin		1				
054	233591-8	Torsion spring 10		1				
055	310547-9	Blade holder		1				
056	135602-4	Rod assembly		1				
056		INC. 48-55						
057	183W95-7	Housing set		1	*			
C10	263005-3	Rubber pin 6		2	*			
C20	8066F9-6	Switch label		2	*			
057		INC. 1			*			
057-1	1831E5-7	Housing set	<	1				
C10	263005-3	Rubber pin 6		2				
C20	8066F9-6	Switch label		2				
057-1		INC. 1						
058	265995-6	Binding head tapping screw 4X1 8		8				
059	312D19-4	Base		1				
060	232208-0	Leaf spring		1				
061	345237-5	Clamp plate		1				
062	347A23-6	Base plate		1				
063	265085-5	Countersunk head screw M4X8		4				
064	922231-0	Hex. socket head bolt M5X20 W		1				
065	858U14-7	Name plate JV001G		1				
A02	413J99-0	Cover plate		1				
A03	415524-7	Kerf board		1				
A04	783202-0	Hex. wrench 4		1				
A05	A-85737	JIGSAW BLADE NO.B22		1				
A06	A-85628	JIGSAW BLADE NO.B10		1				
A07	A-85793	JIGSAW BLADE NO.BR13		1				
F01	194416-0	Sheet 10000 set		1				
F02	194417-8	Rubber sheet 10000 set		1				
F03	194418-6	Position sheet 1400 set		1				
F04	194910-2	Position sheet 1900 set		1				
F07	194367-7	Guide rail 3000 set		1				
F08	194368-5	Guide rail 1400 set		1				
F09	194925-9	Guide rail 1900 set		1				
F11	195842-6	Rule bar set		1				

F13	199140-0	Guide rail 1000 set		1					
F14	199141-8	Guide rail 1500 set		1					
F19	192557-6	Kerf board set		1					
G49	1913K5-7	Push clamp set		1					

Please state Parts No. when your order.

Print Date 03/11/2026