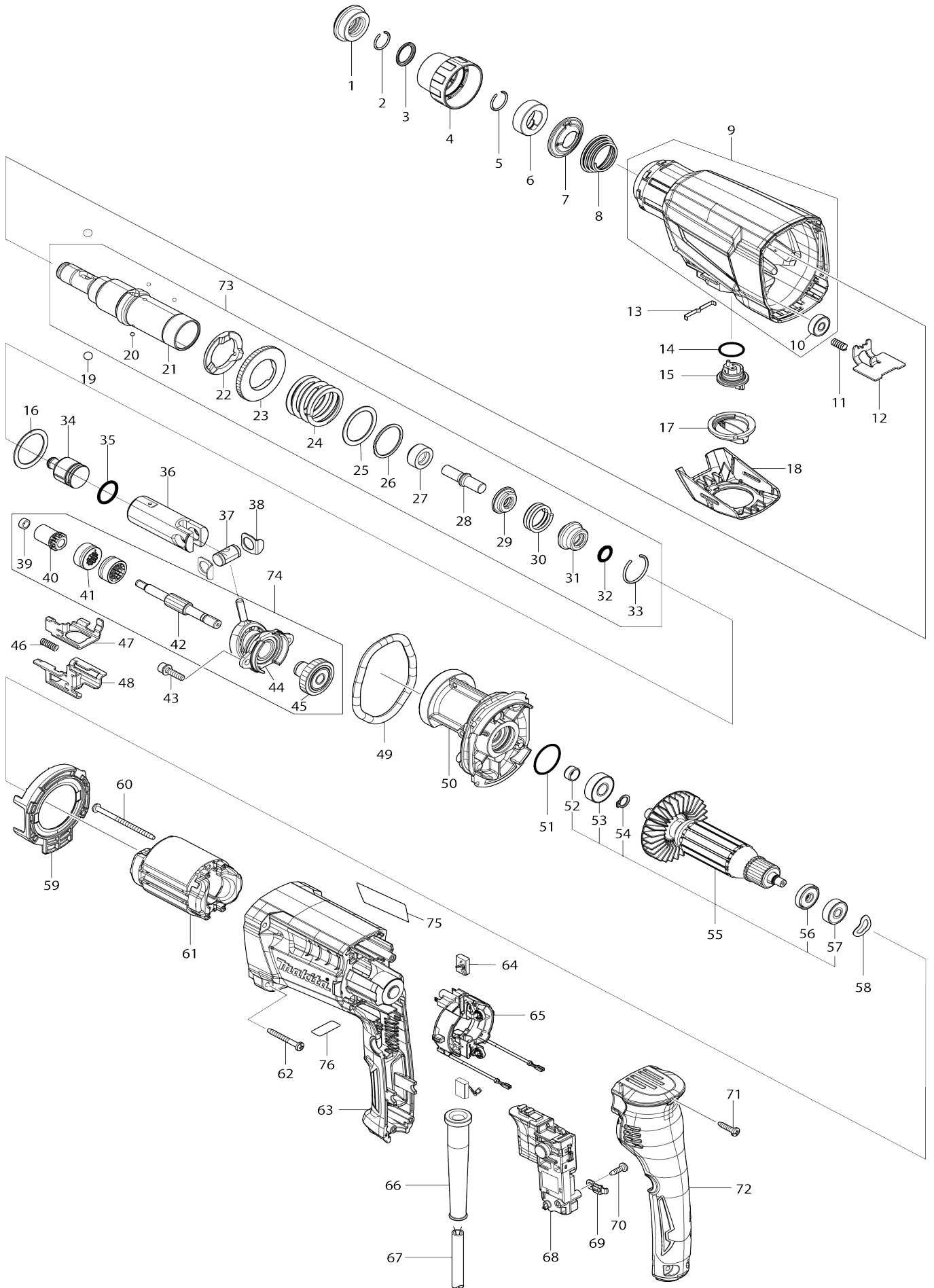


# Model No.HR2670 Combination Hammer



# Model No.HR2670 Combination Hammer

Item No.	Parts No.	Description	Interchangability	Q'ty	New/Old	Sales Price (USD)	Purchase Price(USD)	Note1	Note2
001	286288-8	Cap 35		1					
002	233989-9	Ring spring 14		1					
003	346834-0	Washer 16		1					
004	4130J0-5	Chuck cover		1					
005	233992-0	Ring spring 15		1					
006	327269-4	Ring 17		1					
007	347944-6	Guide washer		1					
008	232503-8	Conical compression spring 21-34		1					
009	137222-0	Gear housing assembly		1					
009		INC. 10							
010	210143-2	Ball bearing 626ZZ		1	*				
010-1	211499-6	Ball bearing 626ZZ	O	1					
011	233360-7	Compression spring 4		1					
012	347C59-7	Lock plate		1					
013	232286-0	Leaf spring		1					
014	213278-8	O-ring 17		1					
015	137166-4	Change lever assembly		1					
C10	263005-3	Rubber pin 6		1					
016	267153-0	Flat washer 30		1					
017	455394-2	Change lever cap		1					
018	4130H9-3	Change lever cover		1					
019	216022-2	Steel ball 7.0		2					
020	216019-1	Steel ball 3		3	*				
020-1	216068-8	Steel ball 3	<	3					
021	141W48-2	Tool holder complete		1					
022	327D75-1	Driving flange		1					
023	227B57-0	Spur gear 40		1					
024	234148-8	Compression spring 31		1					
025	267153-0	Flat washer 30		1					
026	257932-4	Spiro lock washer 30		1					
027	327D80-8	Sleeve 9		1					
028	327D81-6	Impact bolt A		1					
029	325792-3	Washer 10		1					
030	234149-6	Compression spring 20		1					
031	325793-1	O-ring case B		1					
032	213073-6	O-ring 9		1					
033	233979-2	Ring spring 28		1					
034	325784-2	Striker		1					
035	213258-4	O-ring 17.5		1					
036	327D74-3	Piston cylinder		1					
037	327D79-3	Piston joint		1					
038	347C60-2	Guide plate		2					
039	257A41-5	Ring 6		1					
040	227B56-2	Spur gear 9		1					
041	310678-4	Clutch cam		2					
042	327D78-5	Cam shaft		1					
043	265D67-1	Hex. socket head bolt M5X20 WR		2					

		M						
044	219036-0	Swash bearing 9-15		1				
045	141W51-3	Helical gear 30 complete		1				
046	234343-0	Compression spring 5		1				
047	346833-2	Change plate B		1				
048	346832-4	Change plate A		1				
049	213728-3	O-ring 68		1				
050	141W46-6	Inner housing complete		1				
051	213407-3	O-ring 26		1				
052	257A43-1	Sleeve 9		1				
053	210059-1	Ball bearing 6000DDW		1				
054	961006-2	Retaining ring (EXT) S-10		1				
055	510612-6	Armature assembly 220V		1				
055		INC. 52-54,56,57						
056	681652-2	Insulation washer		1				
057	210023-2	Ball bearing 627DDW		1				
058	267804-5	Wave washer 15		1				
059	4130J1-3	Baffle plate		1				
060	266340-8	Binding head tapping screw 4X6 5		2				
061	634863-8	Field		1				
062	266053-1	Binding head tapping screw 4X3 5		4				
063	4130H6-9	Motor housing		1				
064	194074-2	Carbon brush set CB-325		1				
065	632V64-4	Brush holder unit		1				
066	682566-8	Cord guard 10		1				
067	691025-1	Power supply cord 0.75-2-5.0		1				
068	651086-3	Switch		1				
069	687682-1	Strain relief		1				
070	266385-6	Binding head tapping screw 4X1 4		1				
071	266326-2	Binding head tapping screw 4X1 8		3				
072	4130H8-5	Handle cover		1				
073	137223-8	Tool holder assembly		1	*			
073		INC. 20-33			*			
073-1	137259-7	Tool holder assembly	<	1				
073-1		INC. 20-33						
074	137224-6	Cam shaft assembly		1				
074		INC. 39-42,44,45						
075	8147U1-9	Name plate HR2670		1				
076	8147U2-7	Serial No. label HR2670		1				
A01	122G56-6	Grip assembly		1				
C10	265D68-9	Thumb screw M6X52		1				
A02	321144-6	Depth gauge		1				
A03	821925-3	Plastic case		1				
C10	417724-5	Latch		2				
A04B	D-08713	BULL POINT 250		1				
A06B	194041-7	Drill chuck set		1				
A07B	D-17784	SDS-PLUS BIT SET		1				
B01	196967-9	Hammer service kit		1				
C10	195127-0	Oil vessel set		2				

B01		INC. 1,2,5,19,32,33,35,64							
F04	194041-7	Drill chuck set		1					
F06	1914L7-6	Dust cup set		1					
F07	1914L9-2	Dust cup set		1					
F08	192877-8	Drill chuck 13 set		1					
F10	192892-2	Keyless drill chuck set		1					
F11	194254-0	Keyless drill chuck set		1					
F12	194683-7	Grease vessel set		1					
F23	1917K7-7	Dust extractor attachment set		1					
G12	1914X3-8	Dust extraction pad set		1					

Please state Parts No. when your order.

Print Date 03/27/2026