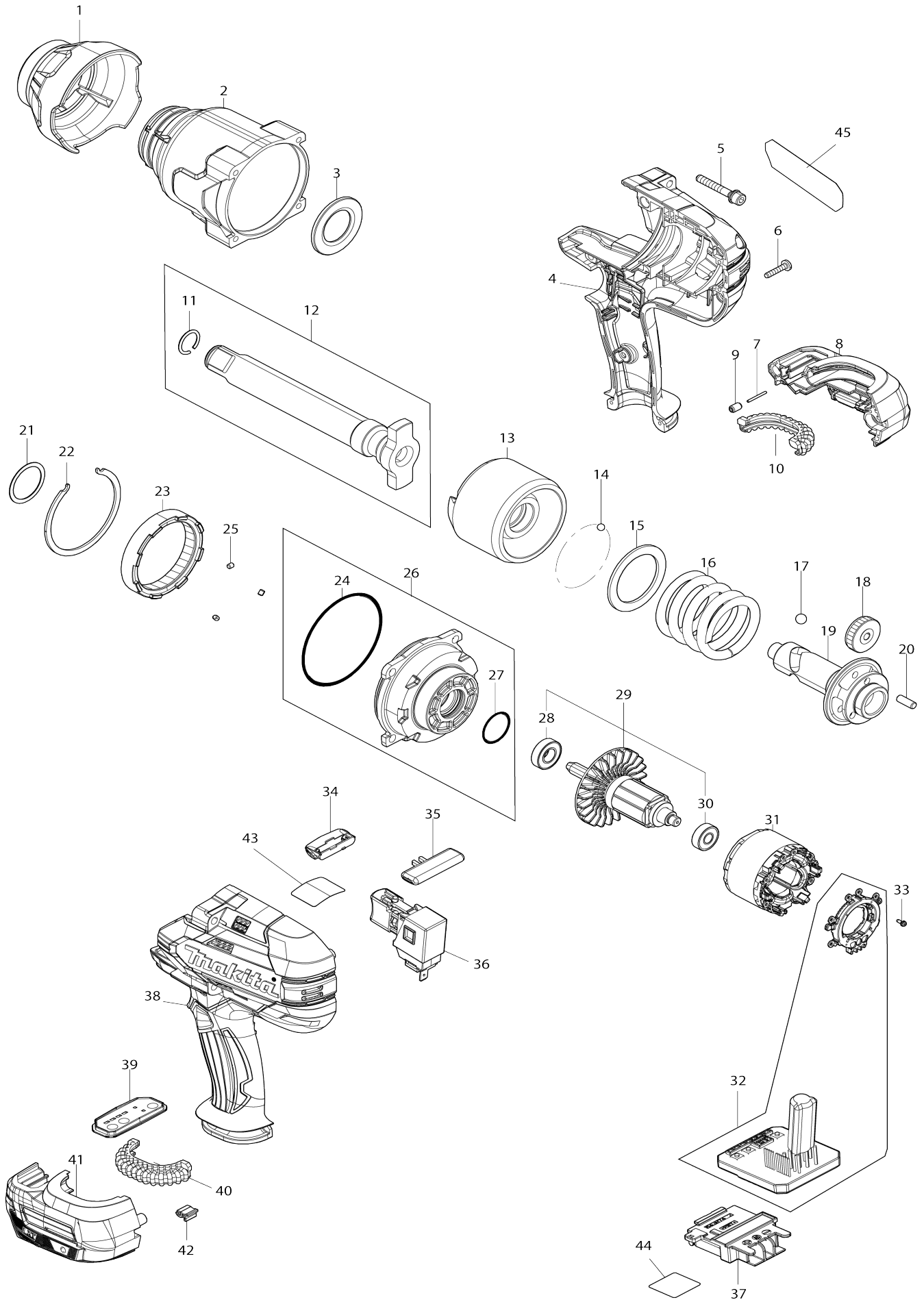


# Model No.DTW1005 Cordless Impact Wrench



# Model No.DTW1005 Cordless Impact Wrench

Item No.	Parts No.	Description	Interchangeability	Q'ty	New/Old	Sales Price (USD)	Purchase Price(USD)	Note1	Note2
001	424978-7	Bumper		1					
002	1411D0-6	Hammer case complete		1					
003	346948-5	Washer 25		1					
004	1830A6-1	Housing set		1					
004		INC. 38							
005	265E44-9	Hex. socket head bolt M5X35 WR M		4	*				
005-1	265D13-4	Hex. socket head bolt M5X35 WR M	O	4	*				
005-2	265E44-9	Hex. socket head bolt M5X35 WR M	<	4					
006	265E16-4	Tapping screw 4X18		9					
007	268284-8	Pin 1.5		1					
008	183P89-0	Battery housing set		1					
C10	263005-3	Rubber pin 6		2					
C20	252126-6	Hex. lock nut M4-7		2					
008		INC. 41							
009	263036-2	Rubber pin 5		1					
010	422A56-3	Cushion rubber		1					
011	232334-5	Ring spring 16		1					
012	137273-3	Anvil L assembly		1					
012		INC. 11							
013	326612-4	Hammer		1					
014	216002-8	Steel ball 4.8		29					
015	267493-6	Flat washer 38		1					
016	232935-9	Compression spring 38		1					
017	216009-4	Steel ball 7.1		2					
018	226880-8	Spur gear 24		3					
019	326611-6	Spindle		1					
020	268079-9	Pin 5		3					
021	267127-1	Flat washer 26		1					
022	346947-7	Retainer		1					
023	227392-4	Internal spur gear 54		1					
024	213720-9	O-ring 67		1					
025	263048-5	Rubber pin 3		3					
026	137272-5	Internal gear assembly		1					
026		INC. 24,27							
027	213961-7	O-ring 22		1					
028	210069-8	Ball bearing 6900DDW		1					
029	519593-1	Rotor assembly		1					
029		INC. 28,30							
030	211022-7	Ball bearing 607ZZ		1					
031	629B59-6	Stator		1					
032	620R88-8	Controller		1					
033	652119-7	Pan head screw M2X6		6					
034	620351-1	LED circuit		1					
035	456268-0	F/R change lever		1					
036	141V82-6	Switch complete		1					

037	643874-2	Terminal		1				
038	1830A6-1	Housing set		1				
038		INC. 4						
039	1411C9-1	Switch plate complete		1	*			
039-1	1413B5-4	Switch plate complete	O	1				
040	422A56-3	Cushion rubber		1				
041	183P89-0	Battery housing set		1				
C10	263005-3	Rubber pin 6		2				
C20	252126-6	Hex. lock nut M4-7		2				
041		INC. 8						
042	424517-3	Cushion		1				
043	8088R0-6	Indication label		1				
044	8150H0-1	Serial No. label DTW1005		1				
045	8150G7-0	Name plate DTW1005		1				
A01	251314-2	Truss head screw M4X12		1				
A02	347723-2	Hook		1				

Please state Parts No. when your order.

Print Date 03/27/2026