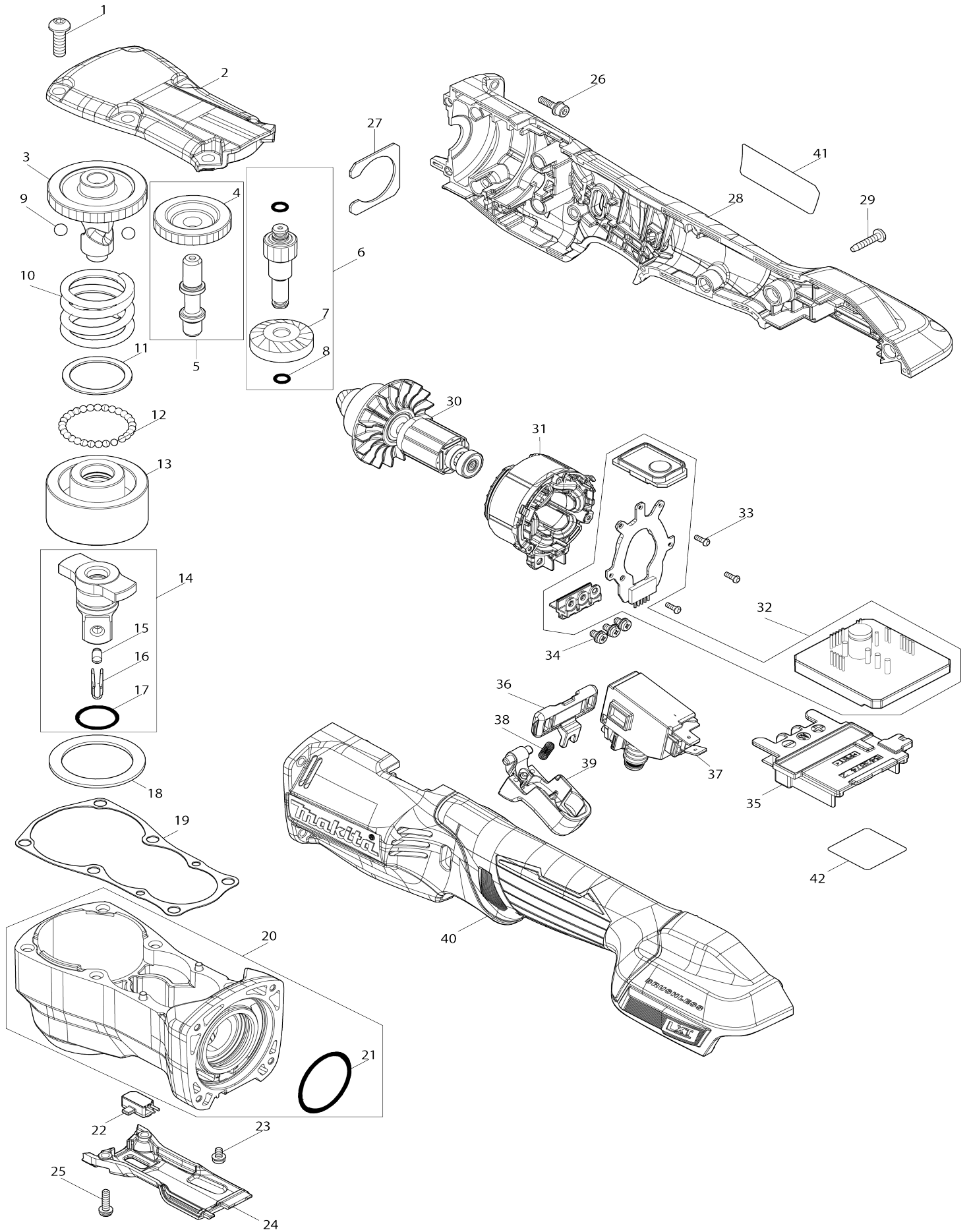


Model No.DTL301 Cordless Angle Impact Wrench



Model No.DTL301 Cordless Angle Impact Wrench

Item No.	Parts No.	Description	Interchangeability	Q'ty	New/Old	Sales Price (USD)	Purchase Price(USD)	Note1	Note2
001	265E34-2	Hex. socket button head bolt M5 X16		6					
002	1411P3-4	Head cover complete		1					
003	327F38-9	Spindle		1					
004	227C28-3	Spur gear 20		1					
005	137357-7	Spindle B assembly		1					
005		INC. 4							
006	137356-9	Spindle A assembly		1					
006		INC. 7,8							
007	227C25-9	Spiral bevel gear 26		1					
008	213021-5	O-ring 5		2					
009	216011-7	Steel ball 5.6		2					
010	232615-7	Compression spring 25		1					
011	267175-0	Flat washer 24		1					
012	216019-1	Steel ball 3		29					
013	327F39-7	Hammer		1					
014	137378-9	Anvil assembly		1					
014		INC. 15-17							
015	323675-1	Pin 4		1					
016	322045-1	Clip		1					
017	213A05-9	O-ring 16		1					
018	267354-0	Flat washer 31		1					
019	422C56-5	Gasket		1					
020	137359-3	Angle head assembly		1					
020		INC. 21							
021	213437-4	O-ring 28		1					
022	620S46-0	LED circuit		1					
023	652069-6	Flat head screw M3X6		1					
024	4132X5-5	Cover		1					
025	266816-5	Pan head screw M3X12 WR		2					
026	251510-2	Hex. socket head bolt M3X12 WR M		4					
027	347D88-6	Plate		1					
028	1831M9-5	Housing set		1					
C10	263005-3	Rubber pin 6		2					
028		INC. 40							
029	266429-2	Binding head tapping screw 3X16		8					
030	619906-7	Rotor		1					
031	629D61-1	Stator		1					
032	620S54-1	Controller complete		1					
033	266490-9	Pan head tapping screw 2X6		3					
034	652069-6	Flat head screw M3X6		3					
035	643874-2	Terminal		1					
036	457469-3	F/R change lever		1					
037	650075-5	Switch C3JW-6B-PA-8		1					
038	231433-0	Compression spring 4		1					
039	4132W2-4	Switch lever		1					

040	1831M9-5	Housing set		1				
C10	263005-3	Rubber pin 6		2				
040		INC. 28						
041	8151S3-8	Name plate DTL301		1				
042	8151S6-2	Serial No. label DTL301		1				

Please state Parts No. when your order.

Print Date 03/27/2026