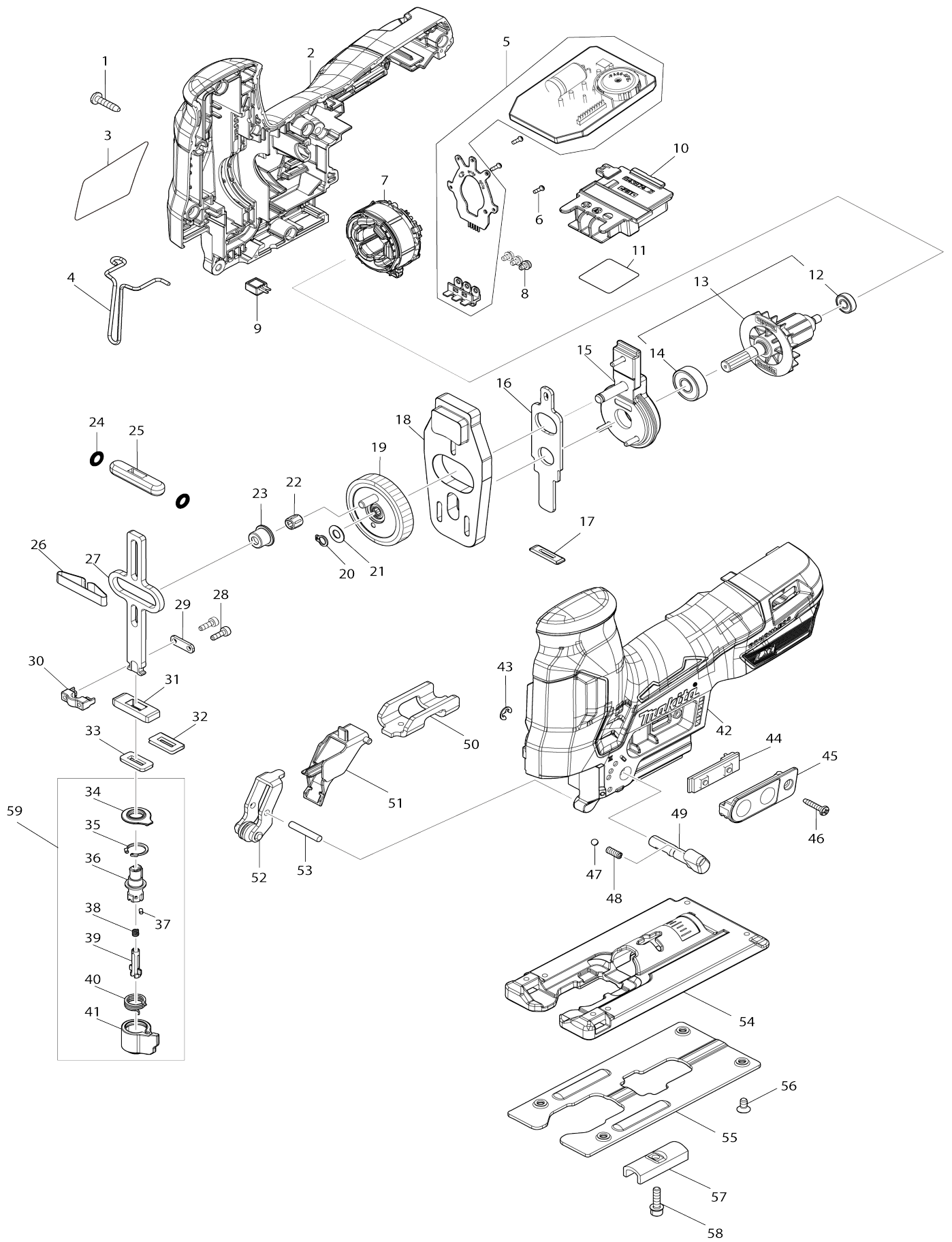


Model No. DJV185 Cordless Jig Saw



Model No.DJV185 Cordless Jig Saw

Item No.	Parts No.	Description	Interchangability	Q'ty	New/Old	Sales Price (USD)	Purchase Price(USD)	Note1	Note2
001	266326-2	Binding head tapping screw 4X18		9					
002	183X94-5	Housing set		1					
C10	263005-3	Rubber pin 6		2					
002		INC. 42							
003	8589C8-1	Name plate DJV185		1					
004	323748-0	Safety wire		1					
005	620L44-2	Controller		1					
006	266490-9	Pan head tapping screw 2X6		3					
007	629B14-8	Stator		1					
008	652069-6	Flat head screw M3X6		3					
009	620712-5	LED circuit		1					
010	643874-2	Terminal		1					
011	8589D9-6	Serial No. label DJV185		1					
012	210039-7	Ball bearing 695DDW		1					
013	519824-8	Rotor assembly		1					
013		INC. 12,14							
014	210005-4	Ball bearing 608DDW		1					
015	144820-3	Bearing case complete		1					
016	347249-4	Push plate		1					
017	416703-0	Dust seal		1					
018	310812-6	Balance plate		1					
019	141H68-6	Gear complete		1					
020	961002-0	Retaining ring (EXT) S-6		1					
021	253715-0	Flat washer 6		1					
022	212265-4	Needle cage 508		1					
023	257872-6	Shoulder sleeve 8		1					
024	213038-8	O-ring 5		2					
025	313082-6	Slider guide		1					
026	232183-0	Leaf spring		1					
027	347966-6	Slider		1					
028	266177-3	Hex. socket head bolt M3X10		2					
029	347247-8	Plate		1					
030	310811-8	Blade clamp		1					
031	313086-8	Slider support		1					
032	344686-3	Seal plate		1					
033	423307-1	Polyurethane sponge seal		1					
034	424437-1	Dust cover		1					
035	962063-3	Retaining ring (INT) round R-13		1					
036	310810-0	Blade guide		1					
037	256528-8	Pin 2		1					
038	233314-4	Compression spring 4		1					
039	310485-5	Lock pin		1					
040	233591-8	Torsion spring 10		1					
041	452850-3	Insert holder		1					
042	183X94-5	Housing set		1					
C10	263005-3	Rubber pin 6		2					
042		INC. 2							

043	961011-9	Stop ring (EXT) E-4		1				
044	620L34-5	Switch unit		1				
045	144628-5	Switch plate complete		1				
046	266130-9	Binding head tapping screw 3X1 6		1				
047	216008-6	Steel ball 4		1				
048	233151-6	Compression spring 4		1				
049	271441-9	Lever 19		1	*			
049-1	271486-7	Lever 19	<	1				
050	347251-7	Holder		1				
051	457866-3	Retainer guide		1				
052	144629-3	Retainer complete		1				
053	256206-0	Pin 4		1				
054	312C90-2	Base		1				
055	345441-6	Base plate		1				
056	912107-9	Countersunk head screw M4X8		4				
057	344685-5	Clamp plate		1				
058	922128-3	Hex. socket head bolt M4X16 WR		1				
059	135941-2	Blade guide assembly		1				
059		INC. 34-41						
A01	783201-2	Hex. wrench 3		1				
A02	413F05-1	Dust nozzle		1				
A03	457867-1	Cover plate		1				
A04	458191-5	Dust cover		1				
A05	A-85737	JIGSAW BLADE NO.B22		1				
A06	A-85628	JIGSAW BLADE NO.B10		1				
A07	A-85793	JIGSAW BLADE NO.BR13		1				
A08B	821551-8	Connector plastic case (type 3)		1				
C10	453974-8	Latch		4				
A09B	8357K1-6	Inner tray		1				
A10B	***DC18RC	DC18RC FAST CHARGER		1				
A10B		COMPO-PARTS						
A11B	450128-8	Battery cover		1				
A12B	197600-6	Battery BL1830B set		2				
F02	194416-0	Sheet 10000 set		1				
F03	192557-6	Kerf board set		1				
F04	192732-4	Guide rule set		1				
F05	194367-7	Guide rail 3000 set		1				
F06	194368-5	Guide rail 1400 set		1				
F07	194925-9	Guide rail 1900 set		1				
F08	198704-7	Guide rail adapter set		1				
F09	199140-0	Guide rail 1000 set		1				
F10	199141-8	Guide rail 1500 set		1				
F14	194417-8	Rubber sheet 10000 set		1				
F15	194418-6	Position sheet 1400 set		1				
F16	194910-2	Position sheet 1900 set		1				
G49	1913K5-7	Push clamp set		1				

Please state Parts No. when your order.

Print Date 03/11/2026